

SBT-1KL

"SBT-1KL" SERIES SHEAR BEAM NICKEL-PLATED LOAD CELLS, from 500kg to 2500kg



Dini Argeo nickel-plated approved load cells, with low-power 1000 Ohm output resistance for mobile battery applications.

The measures are compatible with the main shear beam load cells present on the market. They are suitable for creating CE-M approved scales with 4 load cells or for weighing conveyors, tanks and hoppers, thanks to their accessories.

CAPACITIES (kg): 500, 1000, 2000, 2500.

OIML R60 approved, NTEP, ATEX 3GD.

Nickel-plated steel. **IP67** protection.

Output Resistance **1000 Ohm**.

Working in cooperation with:

M.E.N. expert s.r.o.

P.O.B. 70 - K Podlesi 540 - 261 01- Příbram
Tel. +420 318 635 441
men@menexpert.cz

The best solution
for advanced industrial
applications

MAIN FEATURES

- C3 PRECISION CLASS
- NICKEL-PLATED CONSTRUCTION
- POTTED SEAL, IP67 PROTECTION
- MAX. CAPACITIES FROM 500 TO 2500 kg
- SHIELDED CONNECTION CABLE
- TEST CERTIFICATE AVAILABLE UPON REQUEST

TECHNICAL FEATURES

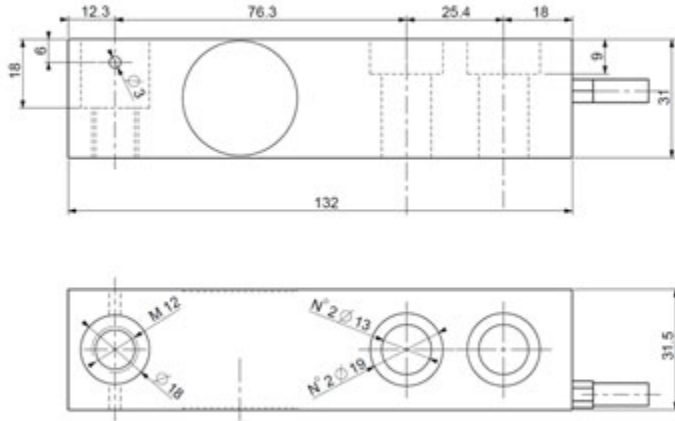
- Minimum load cell verification interval $V_{min} = E_{Max} / 10.000$
- Maximum number of verification intervals $n_{LC} = 3000$
- Combined error 0,017% of Full Scale Output (F.S.)
- Nonlinearity $\pm 0.02\%$ FS
- Hysteresis $\pm 0.02\%$ FS
- Repeatability $\pm 0.01\%$ FS
- Full Scale Output $2mV/V \pm 0.5\%$
- Zero balance $\pm 1\%$ FS
- Compensated Temperature Range $-10^{\circ}C/+50^{\circ}C$.
- Operating Temperature Range $-20^{\circ}C/+60^{\circ}C$.
- Creep error after 30 minutes $<0,02\%$ F.S.
- Maximum tolerated excitation voltage 15 Vdc
- Input Resistance 1085 ± 10 Ohm
- Output Resistance 1000 ± 5 Ohm
- Insulation Resistance >5000 MOhm
- Safe Overload 120% F.S.
- Ultimate Overload 300% F.S.
- 6-wire shielded cable, 3,5m long, 5 mm diameter

ATEX VERSION

- The CCATEX certificate makes the load cell suitable for use in hazardous areas with protection methods according to:ATEX II 3G Ex ic IIC T6 (Ta $-20^{\circ}C/+65^{\circ}C$) Gc
ATEX II 3G Ex nA IIC T6 (Ta $-20^{\circ}C/+65^{\circ}C$) Gc
ATEX II 3D Ex tc IIIC T85°C (Ta $-20^{\circ}C/+65^{\circ}C$) Dc IP65.
The certificate includes the manual and the ATEX CE conformity declaration (available in EN, DE, FR, and IT).
IMPORTANT: the certificate refers to the single load cell. For systems with more load cells, it is necessary to order one certificate for each load cell.

DIMENSIONS - DECODING STANDARD CABLE

- NOTE: dimensions in mm



- Decoding of the standard cable colours

Colour	Function
--	SHIELD
YELLOW	OUTPUT +
GREY	SENSE +
BROWN	INPUT +
WHITE	OUTPUT -
GREEN	INPUT -
PINK	SENSE -

VERSIONS

Available versions

Codice	Max (kg)
SBT500-1KL 	500
SBT1000-1KL 	1000
SBT2000-1KL 	2000
SBT2500-1KL 	2500



www.diniargeo.com

“YOUR WORLDWIDE PARTNER FOR WEIGHING,”

DINI ARGEO
FRANCE sarl
France

DINI ARGEO
GMBH
Germany

DINI ARGEO
UK Ltd
United Kingdom

DINI ARGEO WEIGHING
INSTRUMENTS Ltd
China

DINI ARGEO
OCEANIA
Australia



COMPANY HEADQUARTERS

Via Della Fisica, 20
41042 Spezzano di Fiorano - Modena - Italy
Tel. +39.0536 843418

M.E.N. expert s.r.o.

P.O.B. 70 - K Podlesi 540 - 261 01- Příbram

Tel. +420 318 635 441

men@menexpert.cz

SALES AND TECHNICAL ASSISTANCE SERVICE