

## Multi-Column Compression Load Cell

### FEATURES

- Capacity range: 10T–100T
- Low profile
- 4-Column design ensures low sensitivity to eccentric loads
- Hermetically sealed to IP68
- Full stainless steel welded construction for washdown and harsh environments
- OIML approved to 3500d (OIML R-60)
- Easy corner calibration with current matched (mV/V)/ohm output
- Current calibration output (SC version) ensures easy and accurate parallel connection of multiple load cells
- **Optional**
  - $V_{min}$  approval limit:  $y = E_{max}/V_{min} = 23,333$



### APPLICATIONS

- Truck weighbridges
- Silo and hopper weighing
- Train “rail” scales
- Process weighing

### DESCRIPTION

The Model CSP is a multi-column compression load cell.

Full stainless steel hermetically sealed construction to IP68 ensures reliable performance in harsh, washdown areas.

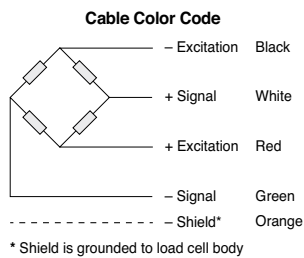
The proven, four column design provides high accuracy and low sensitivity to eccentric loads.

Output calibration by current matching (mV/V)/ohm eliminates time consuming corner calibration procedures in multicell applications.

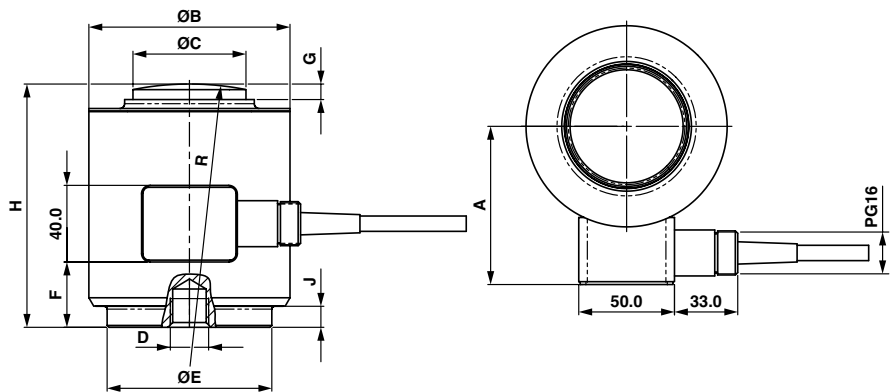
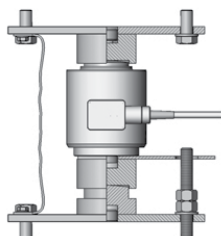
Transducers CSP load cells are directly interchangeable with existing Revere CSP-M cells.

OIML C3.5 (3500 divisions) approval is standard.

### OUTLINE DIMENSIONS in millimeters



Optional mounting kit—  
consult Sales Office



Capacity	A	B	C	D	E	F	G	H	J	R
10–25T	63	72	32	M12 x 8 Deep	57	13	7	83	2	150
40–60T	83	105	59	M20 x 15 Deep	86	35	8	127	11	150
100T	107	150	80	M20 x 15 Deep	124	70	22	185	20	430

## Multi-Column Compression Load Cell

SPECIFICATIONS				
PARAMETER	VALUE			UNIT
Rated capacity—R.C. ( $E_{max}$ )	10000, 25000, 40000, 60000, 100000			kg
NTEP/OIML Accuracy class	C1/20 (ref.)	C3/30	C3.5/30	
Maximum no. of intervals (n)	1000 (ref.)	3000	3500	
$Y = E_{max} / V_{min} *$	5000	10000	11667	
Rated output—R.C.	2.0			±mV/V
Rated output tolerance	0.02			±mV/V
Zero balance	0.02			±mV/V
U/R ratio error	0.05			±%
Nominal U/R ratio	0.00417			(mV/V) / Ω
Total Error	0.030	0.020	0.018	±% of R.O.
Creep (30 minutes)	0.070	0.023	0.020	±% of load
Zero return (30 minutes)	0.050	0.017	0.014	±% of load
Temperature effect on output	0.003	0.0012	0.001	±% of load/°C
Temperature effect on zero	0.0028	0.0014	0.0012	±% of R.O./°C
Temperature range, compensated	-10 to +40			±% applied load/5
Temperature range, safe	-40 to +80			% $E_{max}$
Temperature range, storage	-40 to +90			% $E_{max}$
Maximum safe static overload	150			% $E_{max}$
Ultimate static overload	400			% $E_{max}$
Maximum safe side load	10			mm
Excitation, recommended	10			V
Excitation, range	5–40			V
Input impedance	450±4.5			Ω
Output impedance	480±4.8			Ω
Insulation resistance	>2000			MΩ
Cable length	10000 kg	10		°C
	All other capacities	20		°C
Cable type	4 conductors, (AWG 20) PVC jacket grounded shield			°C
Construction	Stainless steel, welded seal			
Environmental protection (per DIN 40050)	Hermetically sealed, IP68			

\* Approval limit,  $Y = 23333$

\*\* Available approval for use in potentially explosive atmospheres: II 2G EEx ia IIC T4

All specifications subject to change without notice.

## Disclaimer

ALL PRODUCTS, PRODUCT SPECIFICATIONS AND DATA ARE SUBJECT TO CHANGE WITHOUT NOTICE.

Vishay Precision Group, Inc., its affiliates, agents, and employees, and all persons acting on its or their behalf (collectively, "Vishay Precision Group"), disclaim any and all liability for any errors, inaccuracies or incompleteness contained herein or in any other disclosure relating to any product.

The product specifications do not expand or otherwise modify Vishay Precision Group's terms and conditions of purchase, including but not limited to, the warranty expressed therein.

Vishay Precision Group makes no warranty, representation or guarantee other than as set forth in the terms and conditions of purchase. **To the maximum extent permitted by applicable law, Vishay Precision Group disclaims (i) any and all liability arising out of the application or use of any product, (ii) any and all liability, including without limitation special, consequential or incidental damages, and (iii) any and all implied warranties, including warranties of fitness for particular purpose, non-infringement and merchantability.**

Information provided in datasheets and/or specifications may vary from actual results in different applications and performance may vary over time. Statements regarding the suitability of products for certain types of applications are based on Vishay Precision Group's knowledge of typical requirements that are often placed on Vishay Precision Group products. It is the customer's responsibility to validate that a particular product with the properties described in the product specification is suitable for use in a particular application.

No license, express, implied, or otherwise, to any intellectual property rights is granted by this document, or by any conduct of Vishay Precision Group.

The products shown herein are not designed for use in life-saving or life-sustaining applications unless otherwise expressly indicated. Customers using or selling Vishay Precision Group products not expressly indicated for use in such applications do so entirely at their own risk and agree to fully indemnify Vishay Precision Group for any damages arising or resulting from such use or sale. Please contact authorized Vishay Precision Group personnel to obtain written terms and conditions regarding products designed for such applications.

Product names and markings noted herein may be trademarks of their respective owners.