



Short description



- Fit for 4-wire and 6-wire load cells
- Easy installation
- Cast aluminium housing
- Protective coating

Available models

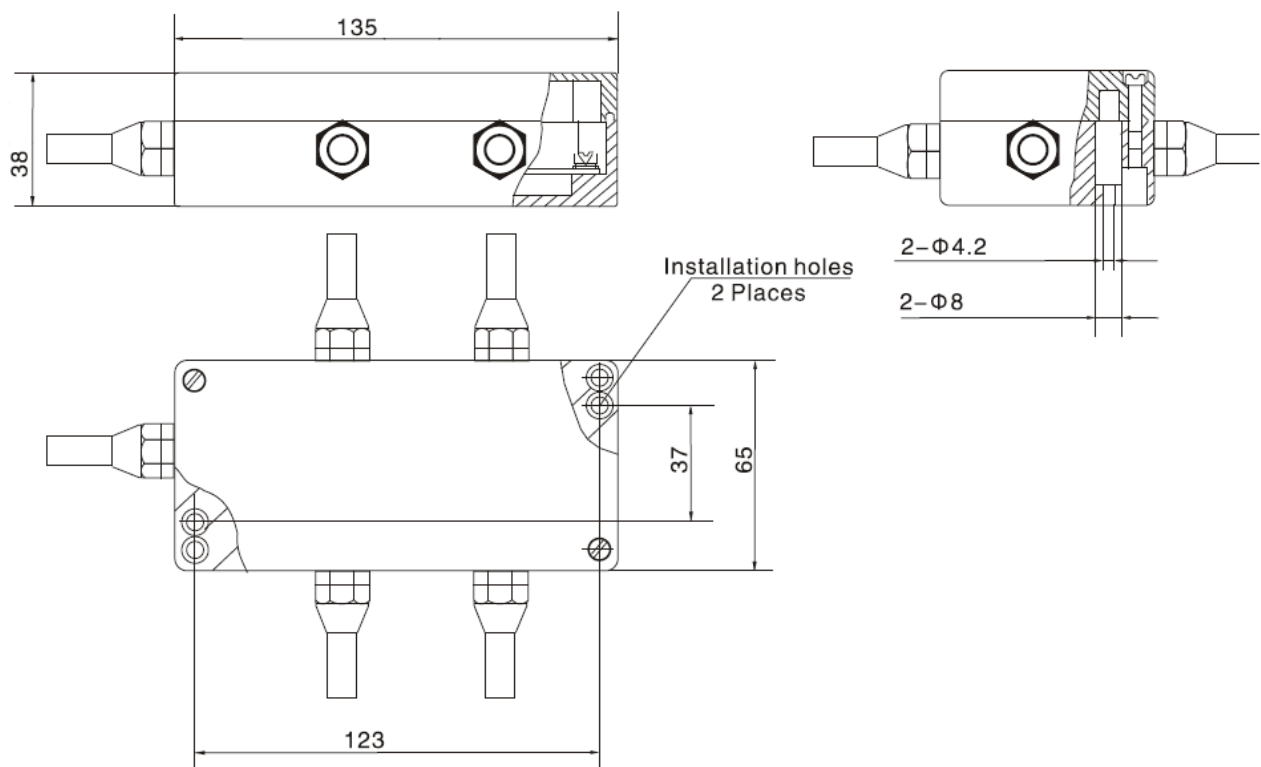
Model	Amount of connections	Full article description	Part number
JB02	2	JB02C-2	3002010
	3	JB02C-3	3002020
	4	JB02C-4	3002030

Specifications and dimensions are subject to change without notice and do not constitute any liability whatsoever.

Technical specifications JB02

Load cell output resistance range	Ω	340 to 1100
Load cell input resistance range	Ω	340 to 1100
Excitation, recommended voltage	V(AC&DC)	5 to 20
Excitation, maximum	V(AC&DC)	30
Load cell sensitivity range	mV/V	0.6 – 3
Cable \varnothing	mm	5 to 6.2
Correction method		Excitation trim
Trimming range	Ω	24
Temperature range, operating	$^{\circ}\text{C}$	- 40 - + 85
Ingress protection		IP65
Housing connected to shield		Yes
External grounding		No

Dimensions in mm



Specifications and dimensions are subject to change without notice and do not constitute any liability whatsoever.