

Short description



- Easy installation
- Built in horizontal movement control
- Can be used in hazardous environments
- Lift-off protection
- Stainless steel
- Can be used with load cell model: BM24R

Available models

| Model | Capacity with load | Full article description | Part number |
|-----------|--------------------|--------------------------|-------------|
| BM-24-401 | 0.25t – 1t | BM-24-401-0.25/1t | 2240010 |
| BM-24-402 | 2t – 5t | BM-24-402-2/5t | 2240020 |
| BM-24-403 | 10 – 13t | BM-24-403-10/13t | 2240030 |

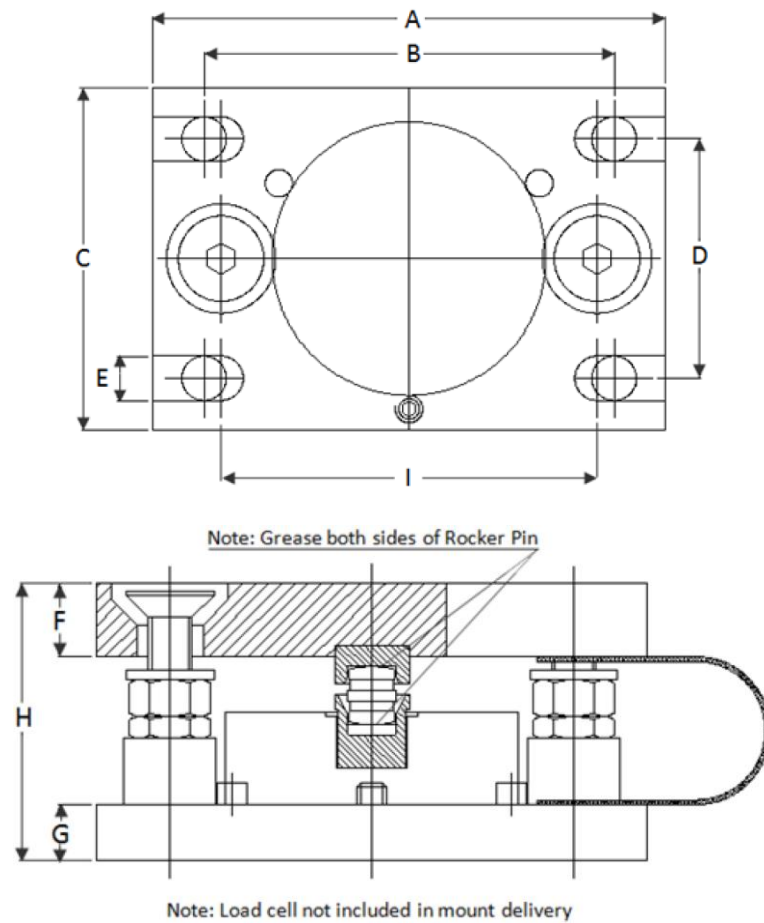
Technical specifications BM-24-401/402/403

| Type | BM-24-401 | BM-24-402 | BM-24-403 |
|-------------------------------|------------|------------|------------|
| Maximum vertical force (down) | 15 kN | 30 kN | 50 kN |
| Maximum vertical force (up) | 10 kN | 20 kN | 30 kN |
| Maximum horizontal force | 5 kN | 10 kN | 20 kN |
| Maximum horizontal movement | +3 / -3 mm | +3 / -3 mm | +3 / -3 mm |
| Installation height | 80 mm | 105 mm | 117 mm |
| Working height | 75 mm | 100 mm | 110 mm |

Note: Expressed maximum forces refer to this mount, without load cell installed.

Specifications and dimensions are subject to change without notice and do not constitute any liability whatsoever.

Dimensions in mm



| Type | A | B | C | D | ØE | F | G | H | I |
|-----------|-----|-----|-----|----|----|----|----|-----|-----|
| BM-24-401 | 150 | 120 | 100 | 70 | 14 | 20 | 15 | 75 | 110 |
| BM-24-402 | 160 | 120 | 110 | 70 | 16 | 20 | 20 | 100 | N/A |
| BM-24-403 | 210 | 175 | 120 | 85 | 18 | 25 | 20 | 110 | N/A |

Specifications and dimensions are subject to change without notice and do not constitute any liability whatsoever.