



Short description



- Controlled horizontal movement
- Easy load cell access
- Stainless steel
- Lift-off protection
- Top and bottom plate not included
- Can be used with Load Cell models: BM14C and HM14C

Available models

Model	Capacity	Full article description	Part number
BM-14-407	10t – 50t	BM-14-407-10/50t	2140021

Detailed specifications BM-14-407

Capacity	10t – 50t
Maximum vertical force (down)	150 %FS
Maximum horizontal force	50 kN
Maximum horizontal movement	+5.4 / -5.4 mm

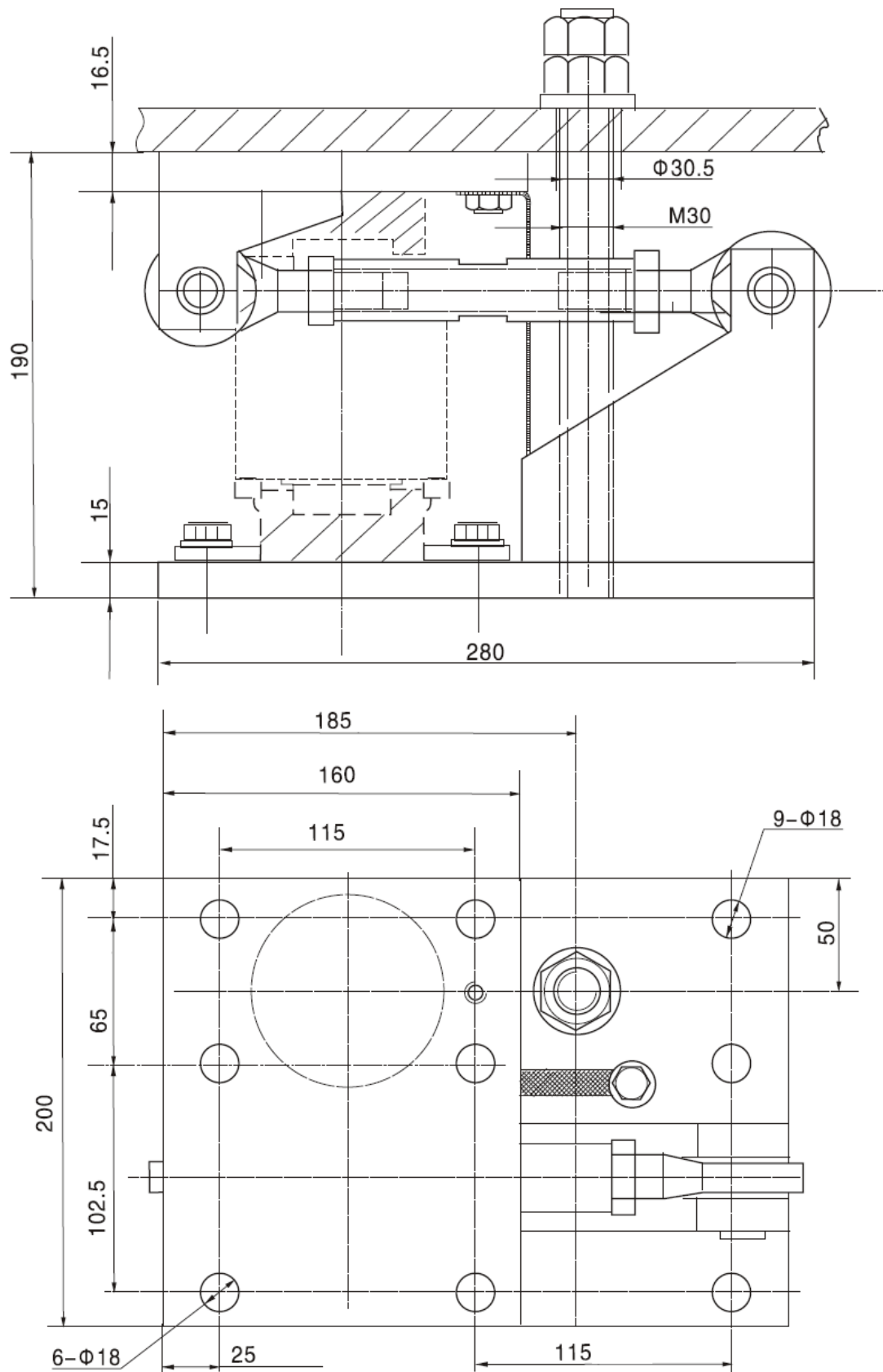
Top and bottom plate information

Rocker support	Load cell model	Part number
BY-14-103-10/30t	HM14C-10/30t	2140410
BY-14-103-10/30t	BM14C-10/30t	2140410
BY-14-103-40/50t	HM14C-40/50t	2140411
BY-14-103-40/50t	BM14C-40/50t	2140411

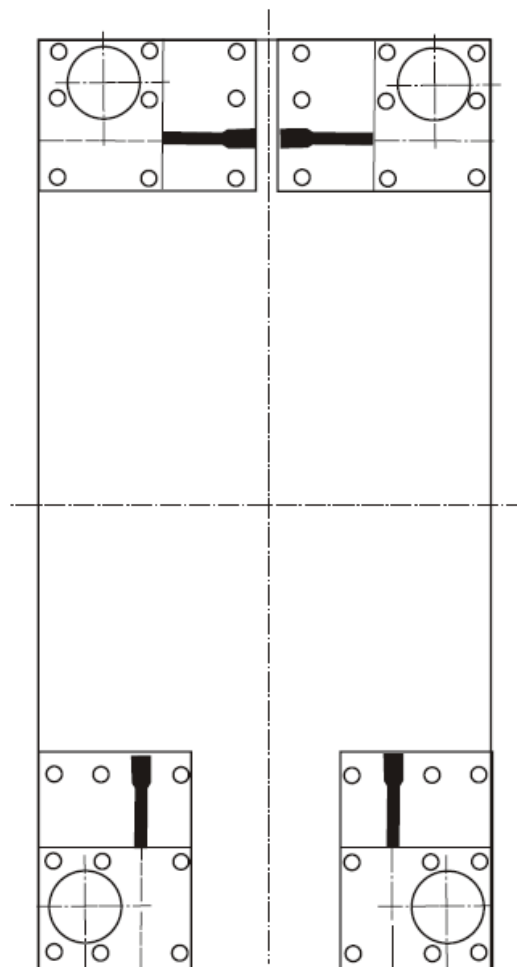
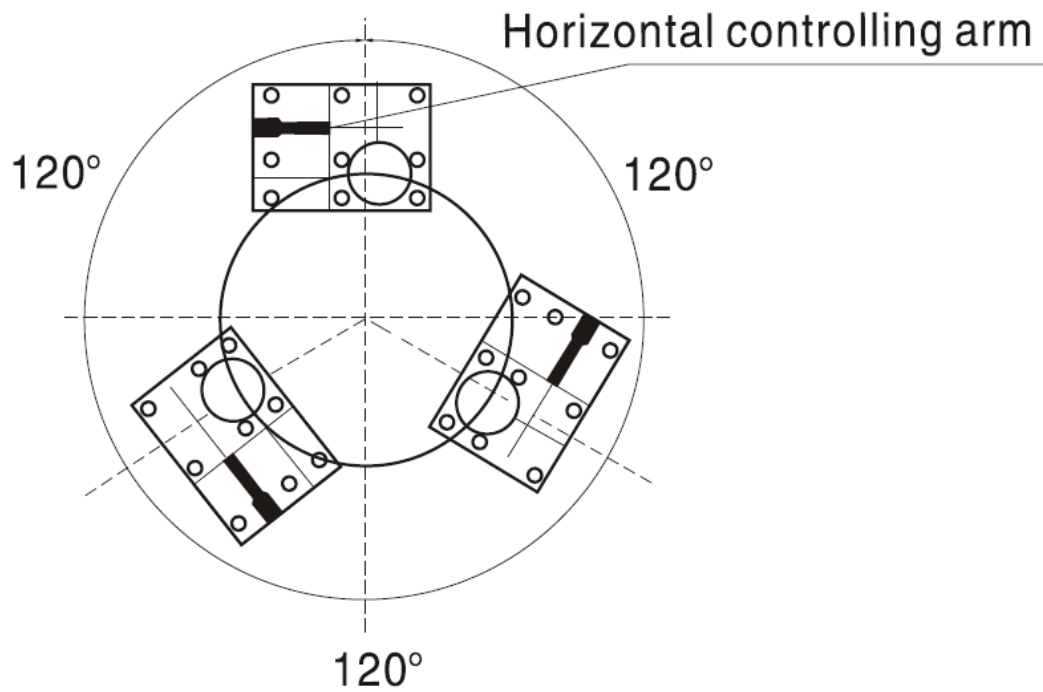
Specifications and dimensions are subject to change without notice and do not constitute any liability whatsoever.

Type BM-14-407

Dimensions in mm



Specifications and dimensions are subject to change without notice and do not constitute any liability whatsoever.



Specifications and dimensions are subject to change without notice and do not constitute any liability whatsoever.