




## Short description



- Fit for 1 to 4 load cells
- Fast speed, high accuracy  $\Sigma - \Delta$  A/D conversion technology
- Special anti-vibration software technology
- Suitable for electronic platform, floor and other electronic static weighing scales

 OIML Test certificate no. R76/2006-CN1-09.01



## Available models

Model	Amount of connections	Full article description	Part number
XK3190-A12E	1 - 4	Indicator XK3190-A12E	8002105

Specifications and dimensions are subject to change without notice and do not constitute any liability whatsoever.

## Feature specifications XK3190-A12E

High precision A/D conversion with readability 1/30000  
 Call and display inner code to replace weight observing and analysis tolerance  
 Special digital filtering technology to strengthen anti-vibration ability  
 Able to set up digital filter intensity, range and stable time  
 With counting function (unit weight data save protection in case of power off)  
 Selectable backlight mode  
 Alarm for low battery and auto power off at low battery  
 RS232 interface with selectable baud rate  
 Optional of scoreboard interface sending by 20mA current loop  
 Enhanced EMC design effectively eliminates EMR disturbance of power supply and outside  
 Fourfold cheat-proof by both software and hardware  
 Good electric safety performance  
 Double power supply design to ensure independence and stability of A/D conversion

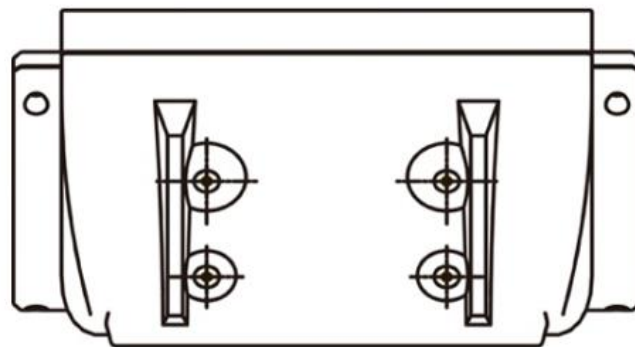
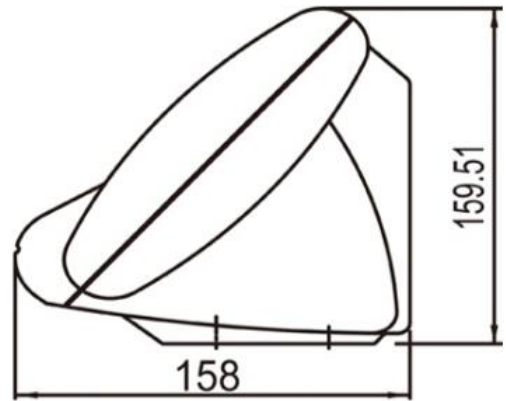
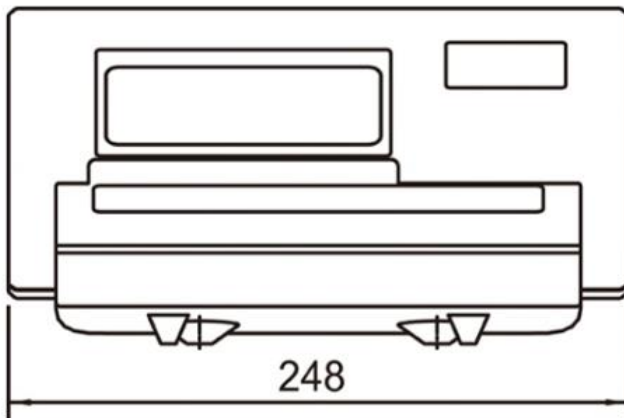
## Technical specifications XK3190-A12E

A/D conversion method	$\Sigma - \Delta$
A/D conversion speed	10 times/second
Maximum A/D conversion bits	20
Input signal range	-10mV ~ 15mV
Input sensitivity	$\geq 1 \mu V/e$
Load cell excitation	DC 5V; $I \leq 150 \text{ mA}$
Maximum connection number of load cells	4 at 350 $\Omega$
Load cell connection method	6-wire
Verification counts	3000
Maximum external counts	30000
Maximum internal resolutions	300000
Divisions (optional)	1/2/5/10/20/50
Display	6-digits LED, 6 status indications
Display range	-2000 ~ 150000 (d=10)
Transmission distance	Current loop $\leq 2000$ meters
Selectable baud rate	1200/2400/4800/9600
Transmission distance for RS232C	$\leq 30$ meters
Ingress Protection (acc. to EN 60529)	IP54
Power supply ( <b>battery excluded from delivery</b> )	AC 187~242V, 49~51Hz; DC rechargeable 6V/4AH battery

Specifications and dimensions are subject to change without notice and do not constitute any liability whatsoever.

# Type Indicator XK3190-A12E

Dimensions in mm



Specifications and dimensions are subject to change without notice and do not constitute any liability whatsoever.