

Short description



- Fit for 4- and 6-wire load cells
- Easy installation
- Stainless steel housing
- Suitable for ATEX zone 0, 1, 2, 20, 21 and 22

Available models

Model	Amount of connections	Full article description	Part number
JB-CExxATEX	4	JB-CE41ATEX	3008012
	8	JB-CE81ATEX	3008021

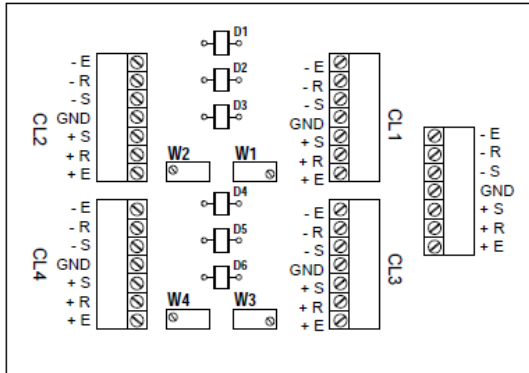
Technical specifications JB-CExxATEX

Load cell output resistance range	Ω	340 to 1100
Load cell input resistance range	Ω	340 to 1100
Excitation, recommended voltage	V(AC&DC)	5 to 15
Excitation, maximum	V(AC&DC)	20
Load cell sensitivity range	mV/V	0.6 – 3.5
Cable \varnothing	mm	4 to 8
Correction method		Excitation trim
Trimming range	Ω	20
Temperature range, operating	$^{\circ}\text{C}$	-20...+60
Ingress protection		IP67
Housing connected to shield		Yes (Ground terminal)
External grounding		Yes
Outside dimensions	mm	JB-CE41ATEX: 143 x 144 x 44 JB-CE81ATEX: 200 x 148 x 45

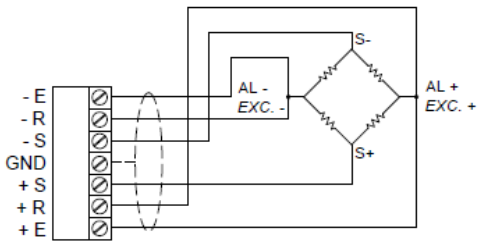
Specifications and dimensions are subject to change without notice and do not constitute any liability whatsoever.

Wiring

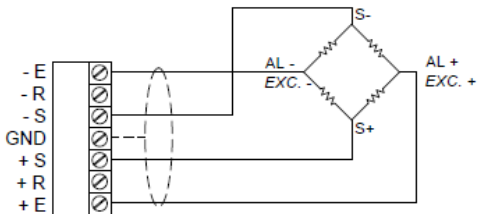
CE41ATEX



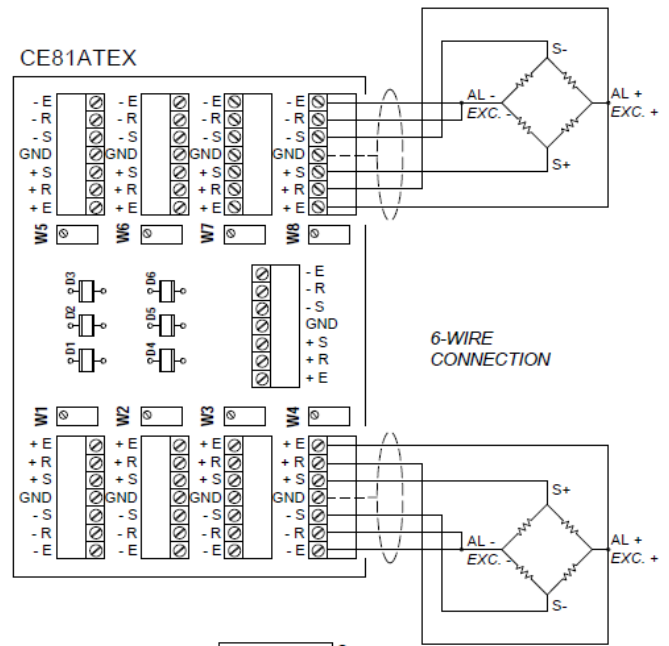
6-WIRE CONNECTION



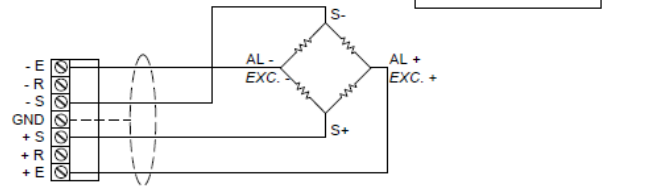
4-WIRE CONNECTION



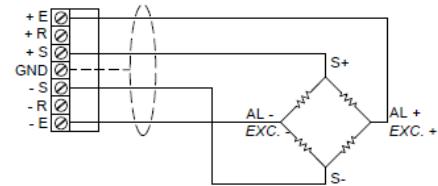
CE81ATEX



6-WIRE CONNECTION



4-WIRE CONNECTION



Specifications and dimensions are subject to change without notice and do not constitute any liability whatsoever.