

Short description



- Controlled horizontal movement
- Easy load cell access
- Nickel plated alloy steel
- Can be used with Load Cell models: H14W

Available models

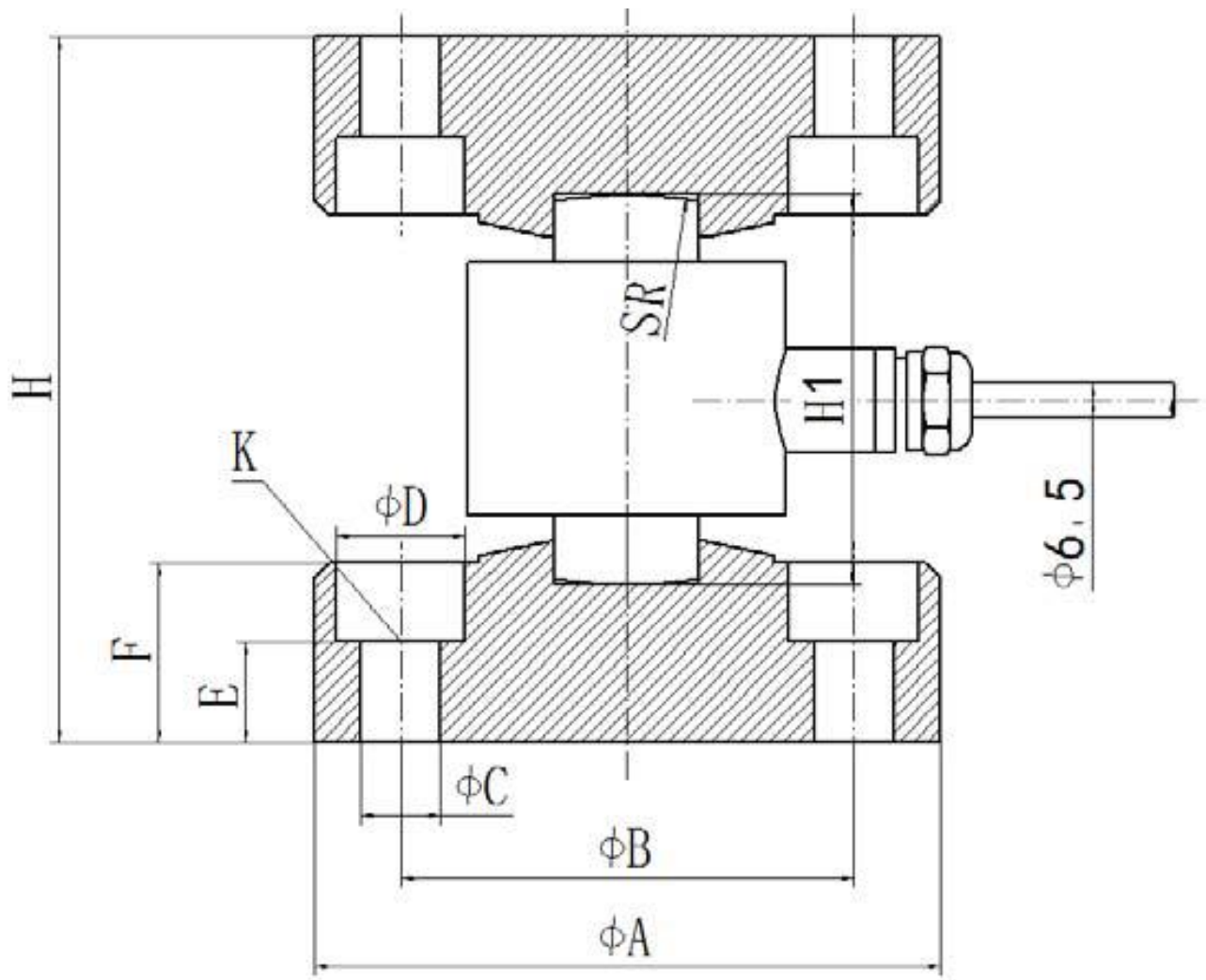
Model	Capacity	Full article description	Part number
HY-14-147	2.8t-6t	HY-14-147-2.8/6t	2140550
	13t	HY-14-147-13t	2140551
	28t	HY-14-147-28t	2140552
	60t	HY-14-147-60t	2140553
	130t	HY-14-147-130t	2140554
	280t	HY-14-147-280t	2140555

Detailed specifications HY-14-147

Capacity	2.8t – 6t	13t	28t	60t	130t	280t
Maximum vertical force (up)	35 kN	35 kN	35 kN	35 kN	35 kN	50 kN
Maximum horizontal force	7.5 kN	20 kN	50 kN	145 kN	195 kN	500 kN
Maximum horizontal movement	+3.5 / -3.5 mm	+3.8 / -3.8 mm	+4 / -4 mm	+4.4 / -4.4 mm	+3.4 / -3.4 mm	+4 / -4 mm

Specifications and dimensions are subject to change without notice and do not constitute any liability whatsoever.

Dimensions in mm



Dimension Capacity	ϕA	ϕB	ϕC	ϕD	E	F	K	H	H1
2.8t, 6t	87	63	11	18	14	25	Two drilled holes 180°	100	56
13t	97	73	11	18	21	32		120	68
28t	108	84	11	-	-	28		136	74
60t	137	112	11	-	-	42	Four drilled holes 90°	174	90
130t	176	148	11	-	-	52		220	116
280t	226	190	14	-	-	65		300	170

Specifications and dimensions are subject to change without notice and do not constitute any liability whatsoever.