



Short description



- Easy installation
- Baseplate, spacer plate and topplate
- Adjustable height
- Overload protection
- Stainless steel and galvanized steel version
- Can be used with Load Cell models: H8C, B8D and BM8D

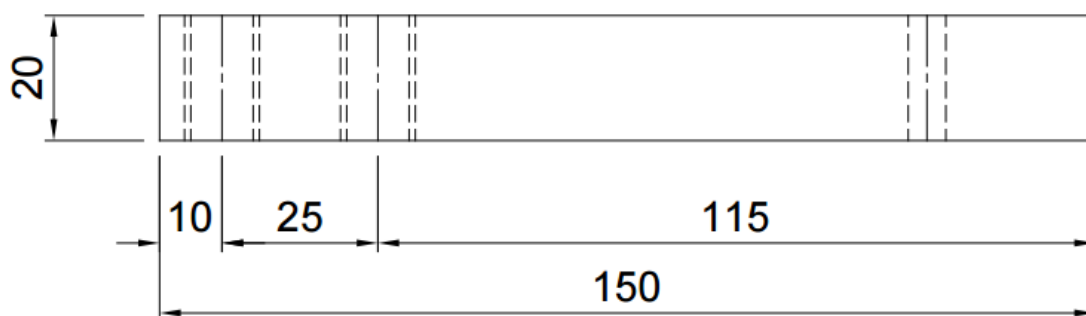
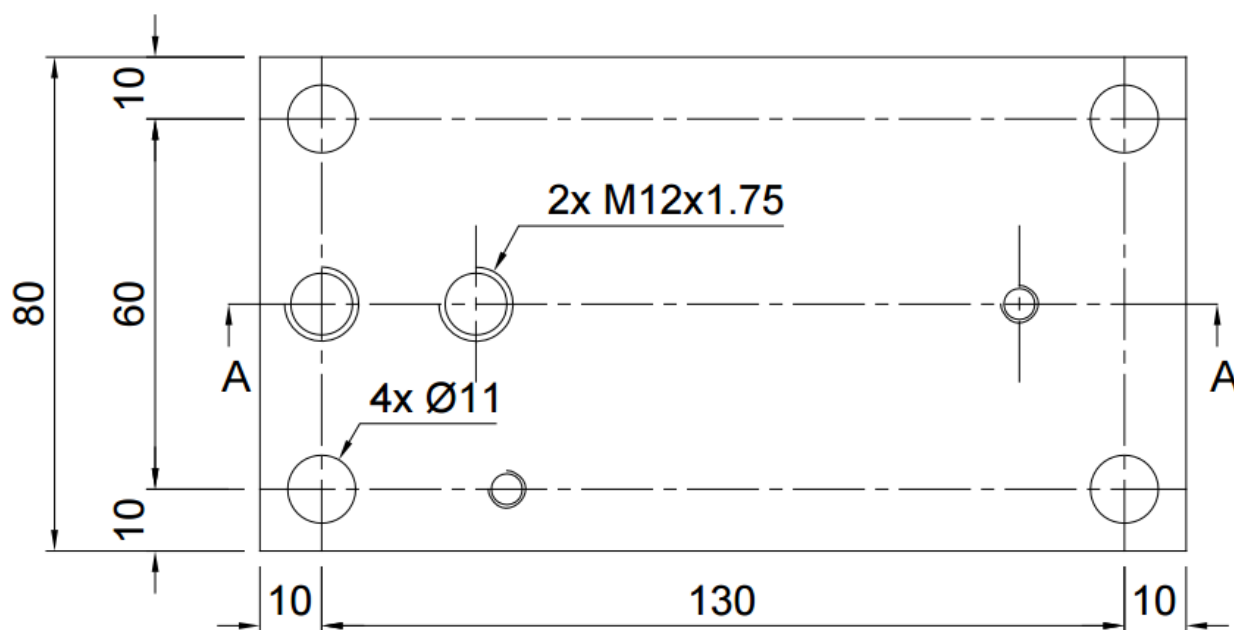
Available models

Model	Capacity	Full article description	Part number
HM-8-PVZ	0.5t – 2.0t	BM-8-PVZ-0.5/2.0t Galvanized steel	2085069
HM-8-PV80Z	2.5t – 5.0t	BM-8-PV80Z-2.5/5.0t Galvanized steel	2085070

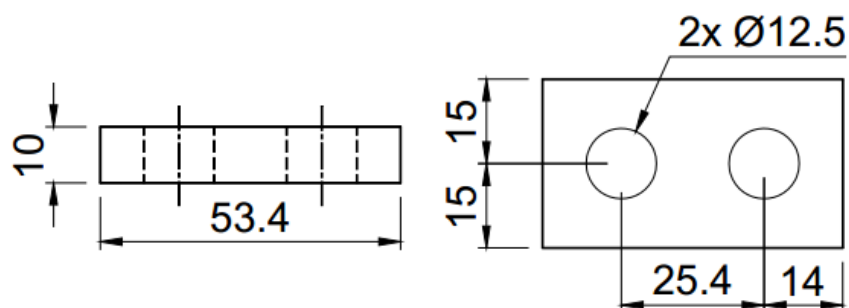
Specifications and dimensions are subject to change without notice and do not constitute any liability whatsoever.

Dimensions in mm

0.5t – 2t Baseplate

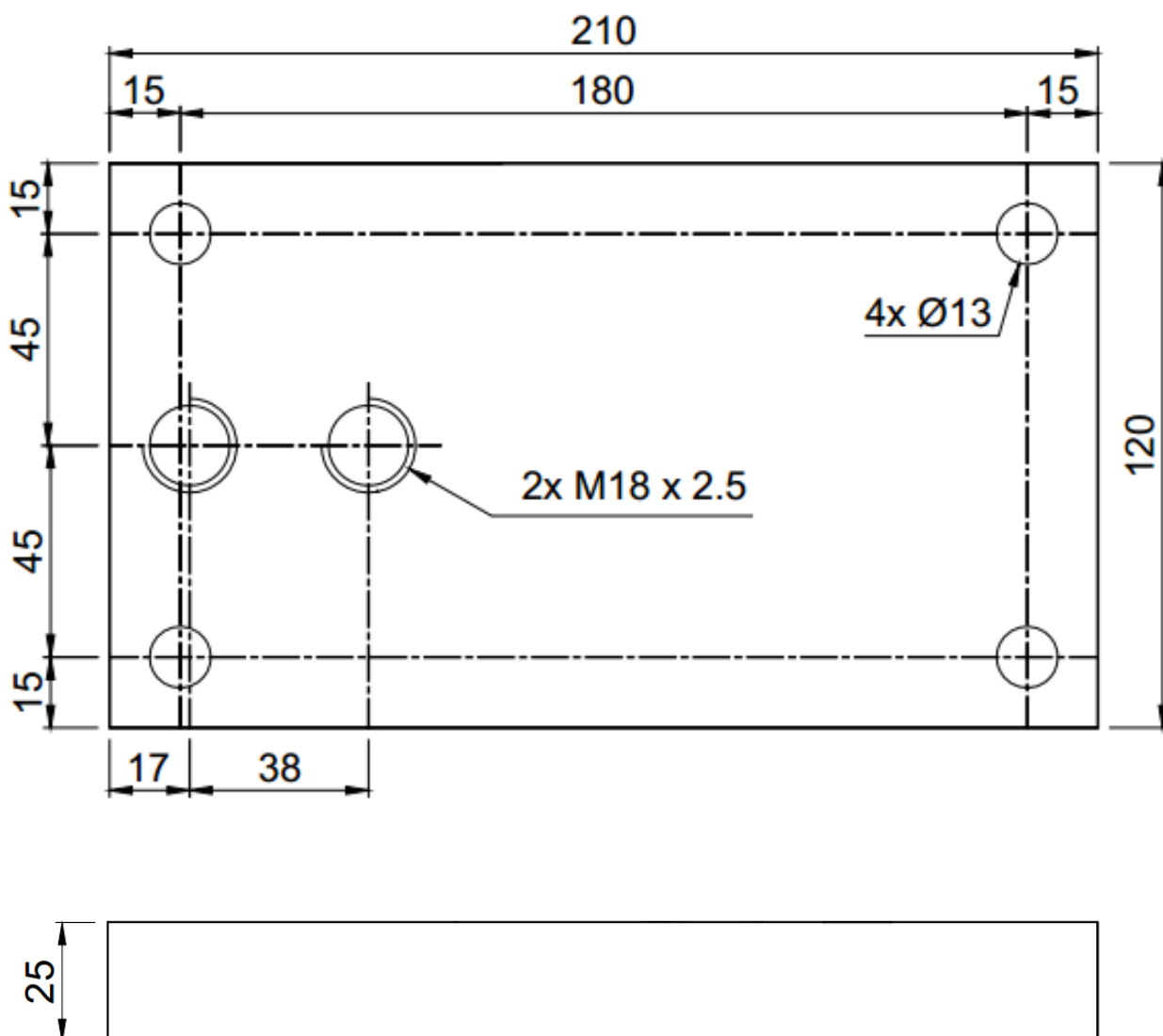


0.5t – 2t Spacer plate

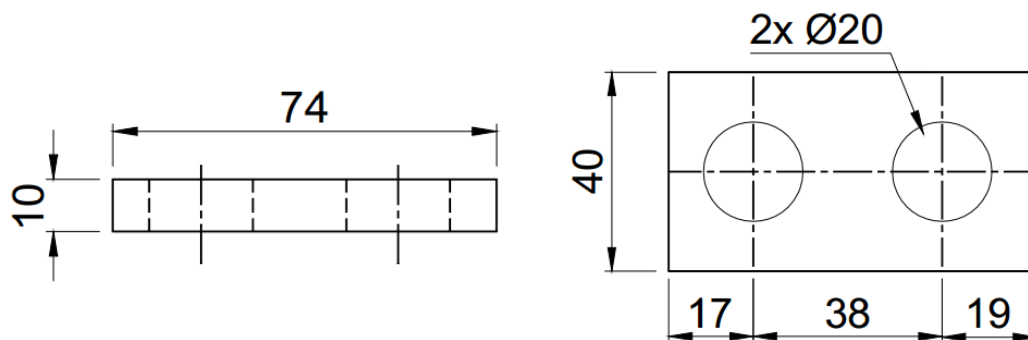


Specifications and dimensions are subject to change without notice and do not constitute any liability whatsoever.

2.5t – 5t Baseplate



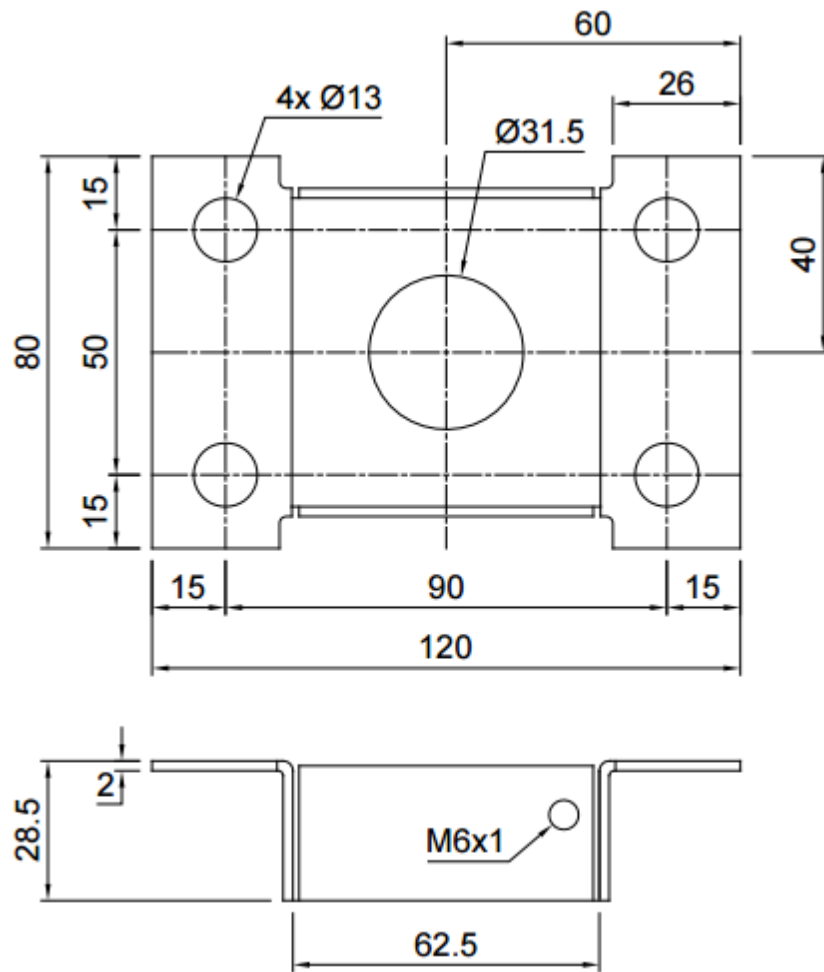
2.5t – 5t Spacer plate



Specifications and dimensions are subject to change without notice and do not constitute any liability whatsoever.

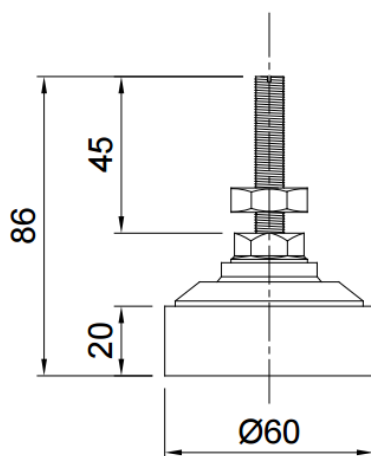
Type HM-8-PVZ/HM-8-PV80Z

0.5 – 2t Top plate



0.5 – 2t feet

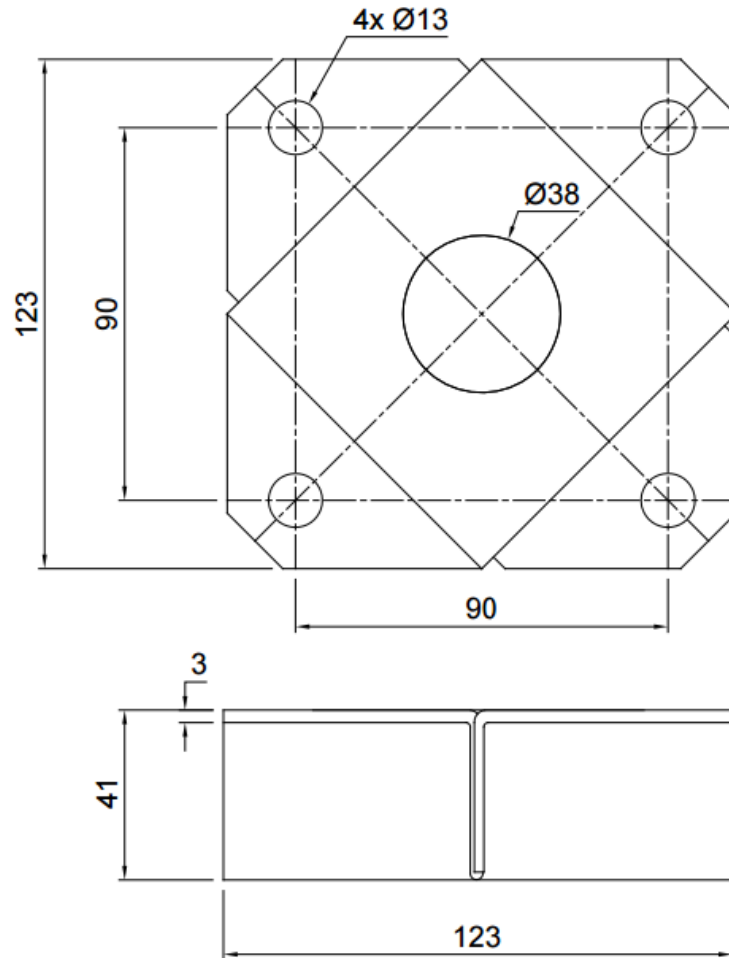
Galvanized steel foot M12x1.75



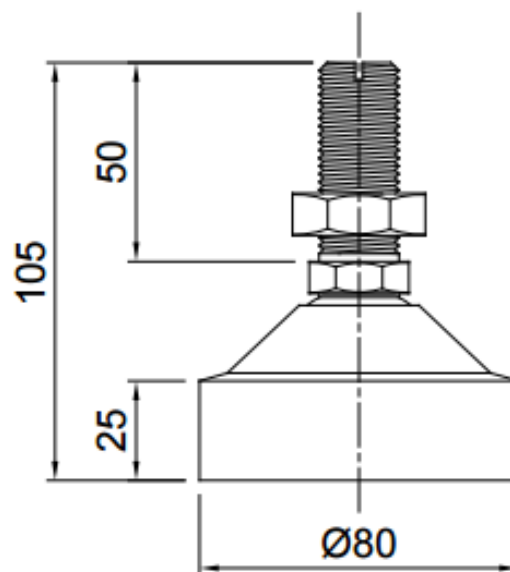
Specifications and dimensions are subject to change without notice and do not constitute any liability whatsoever.

Type HM-8-PVZ/HM-8-PV80Z

2.5 – 5t Top plate



2.5 – 5t feet



Specifications and dimensions are subject to change without notice and do not constitute any liability whatsoever.