



Short description



- Easy load cell access
- Nickel plated alloy steel
- Self-alignment ability
- Top and bottom rocker support not included
- Can be used with Load Cell models: BM14C and HM14C

Available models

Model	Capacity	Full article description	Part number
HM-14-403	10t – 50t	HM-14-403-10/50t (Fixed)	2140110
HM-14-403	10t – 50t	HM-14-403-10/50t (Half-floating)	2140111
HM-14-403	10t – 50t	HM-14-403-10/50t (Floating)	2140112

Detailed specifications HM-14-403

Capacity	10t – 50t
Maximum vertical force (down)	150 %FS
Maximum horizontal force	50 kN
Maximum horizontal movement	+5.4 / -5.4 mm

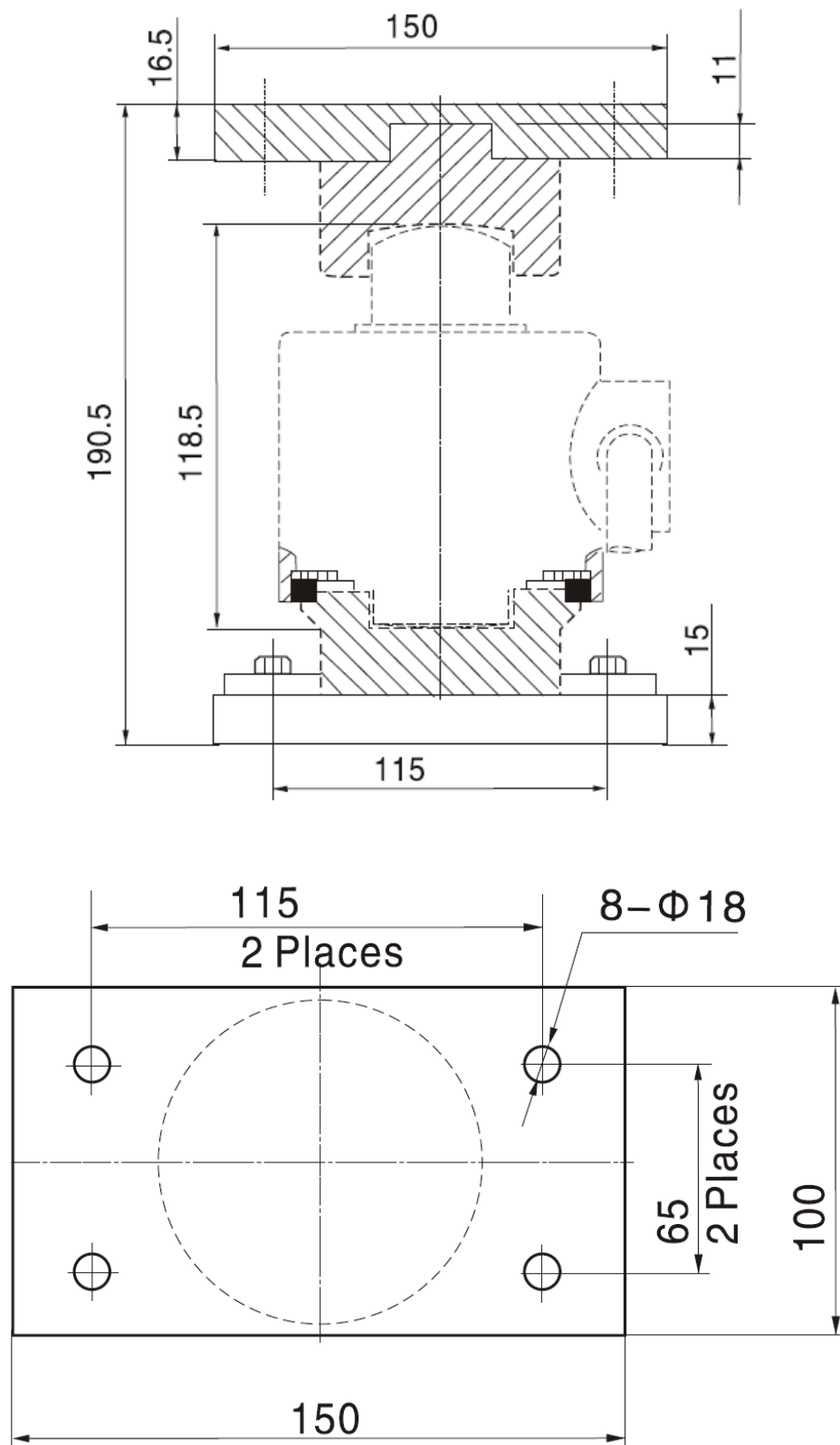
Top and bottom plate information

Rocker support	Load cell model	Part number
BY-14-103-10/30t	HM14C-10/30t	2140410
BY-14-103-10/30t	BM14C-10/30t	2140410
BY-14-103-40/50t	HM14C-40/50t	2140411
BY-14-103-40/50t	BM14C-40/50t	2140411

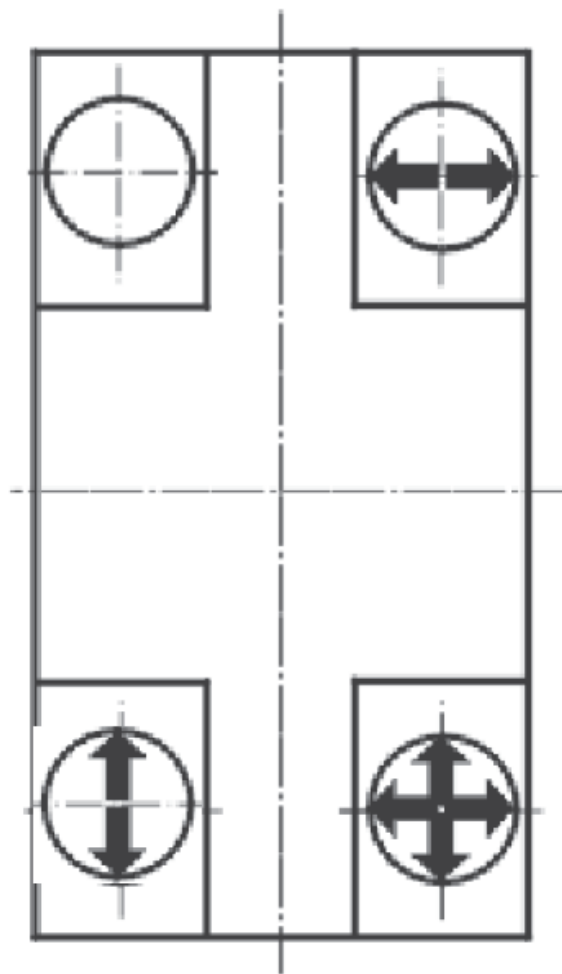
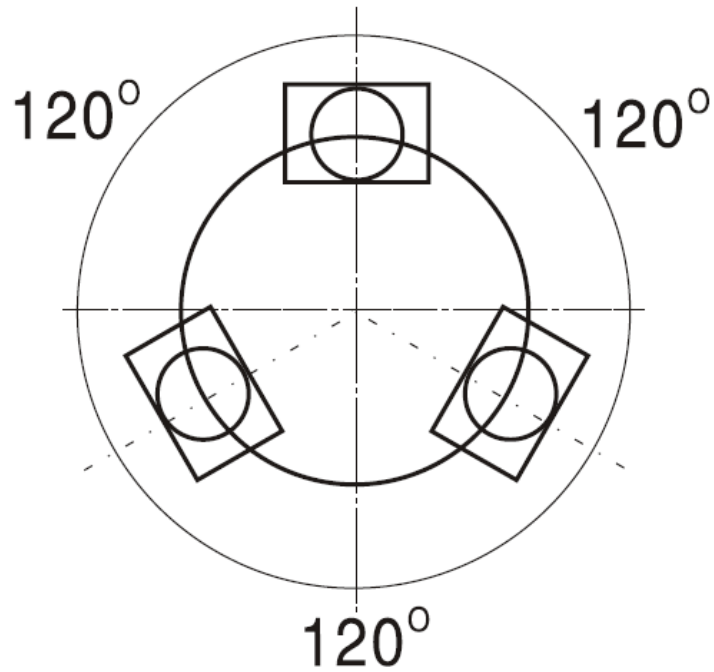
Specifications and dimensions are subject to change without notice and do not constitute any liability whatsoever.

Type HM-14-403

Dimensions in mm



Specifications and dimensions are subject to change without notice and do not constitute any liability whatsoever.



Specifications and dimensions are subject to change without notice and do not constitute any liability whatsoever.