



Short description



- Controlled horizontal movement
- Easy load cell access
- Nickel plated alloy steel
- Lift-off protection
- Top and bottom plate not included
- Can be used with Load Cell models: BM14C and HM14C

Available models

Model	Capacity	Full article description	Part number
HM-14-401	10t – 50t	HM-14-401-10/50t	2140010

Detailed specifications HM-14-401

Capacity	10t – 50t
Maximum vertical force (down)	150 %FS
Maximum horizontal force	50 kN
Maximum horizontal movement	+5.4 / -5.4 mm

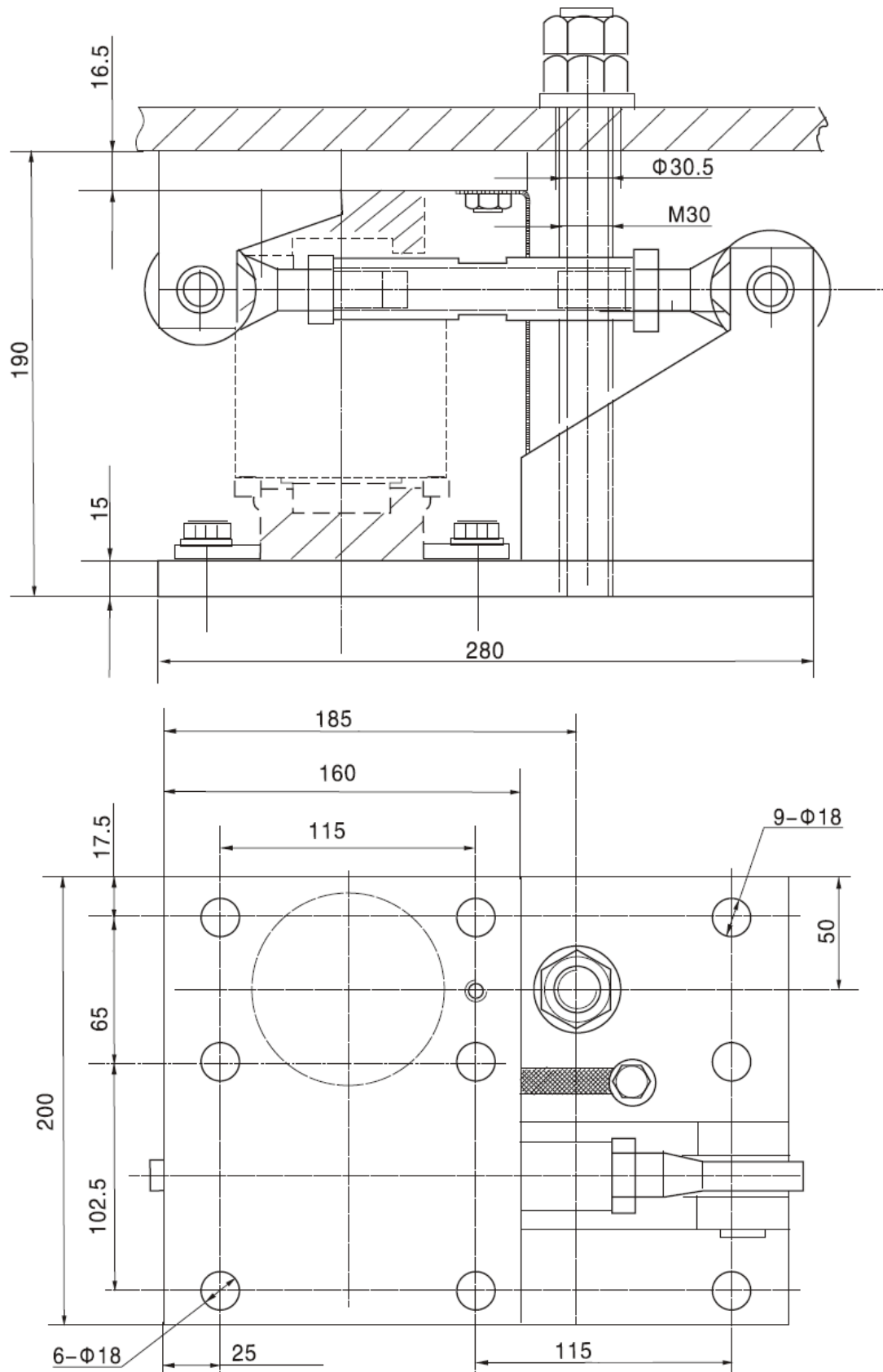
Top and bottom plate information

Rocker support	Load cell model	Part number
BY-14-103-10/30t	HM14C-10/30t	2140410
BY-14-103-10/30t	BM14C-10/30t	2140410
BY-14-103-40/50t	HM14C-40/50t	2140411
BY-14-103-40/50t	BM14C-40/50t	2140411

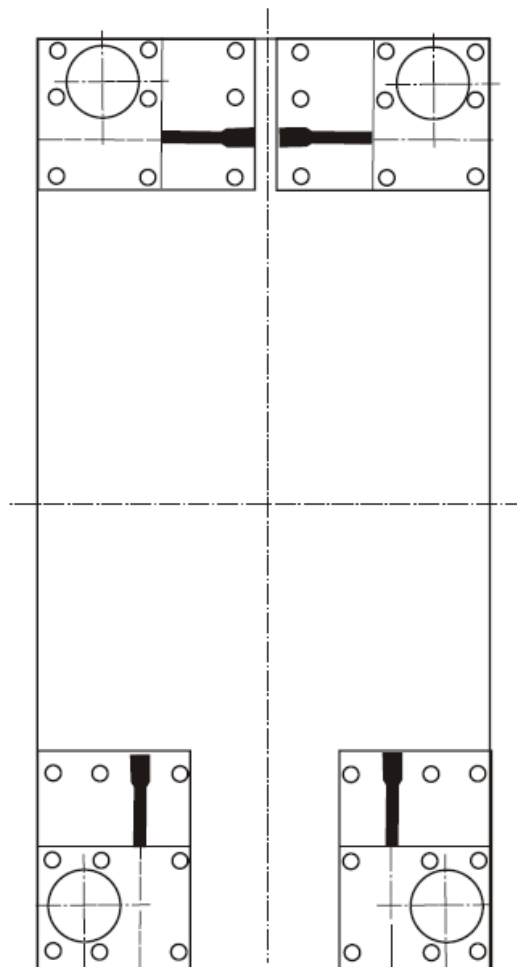
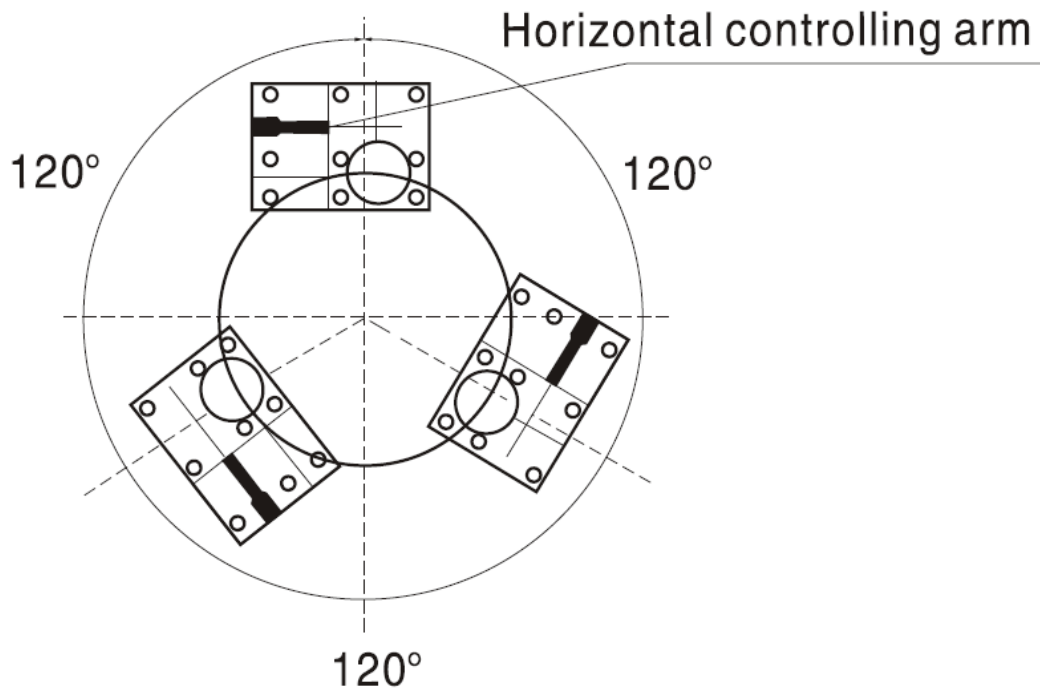
Specifications and dimensions are subject to change without notice and do not constitute any liability whatsoever.

Type HM-14-401

Dimensions in mm



Specifications and dimensions are subject to change without notice and do not constitute any liability whatsoever.



Specifications and dimensions are subject to change without notice and do not constitute any liability whatsoever.