



Short description



- Rocker support for weighing bridges
- Controlled horizontal movement
- Easy load cell access
- Nickel plated alloy steel
- Can be used with Load Cell models: BM14G4-W1 (excluded from delivery)

Available models

Model	Capacity	Full article description	Part number
HM-14-441	10t – 50t	HM-14-441-10/50t	2140515

Detailed specifications HM-14-441

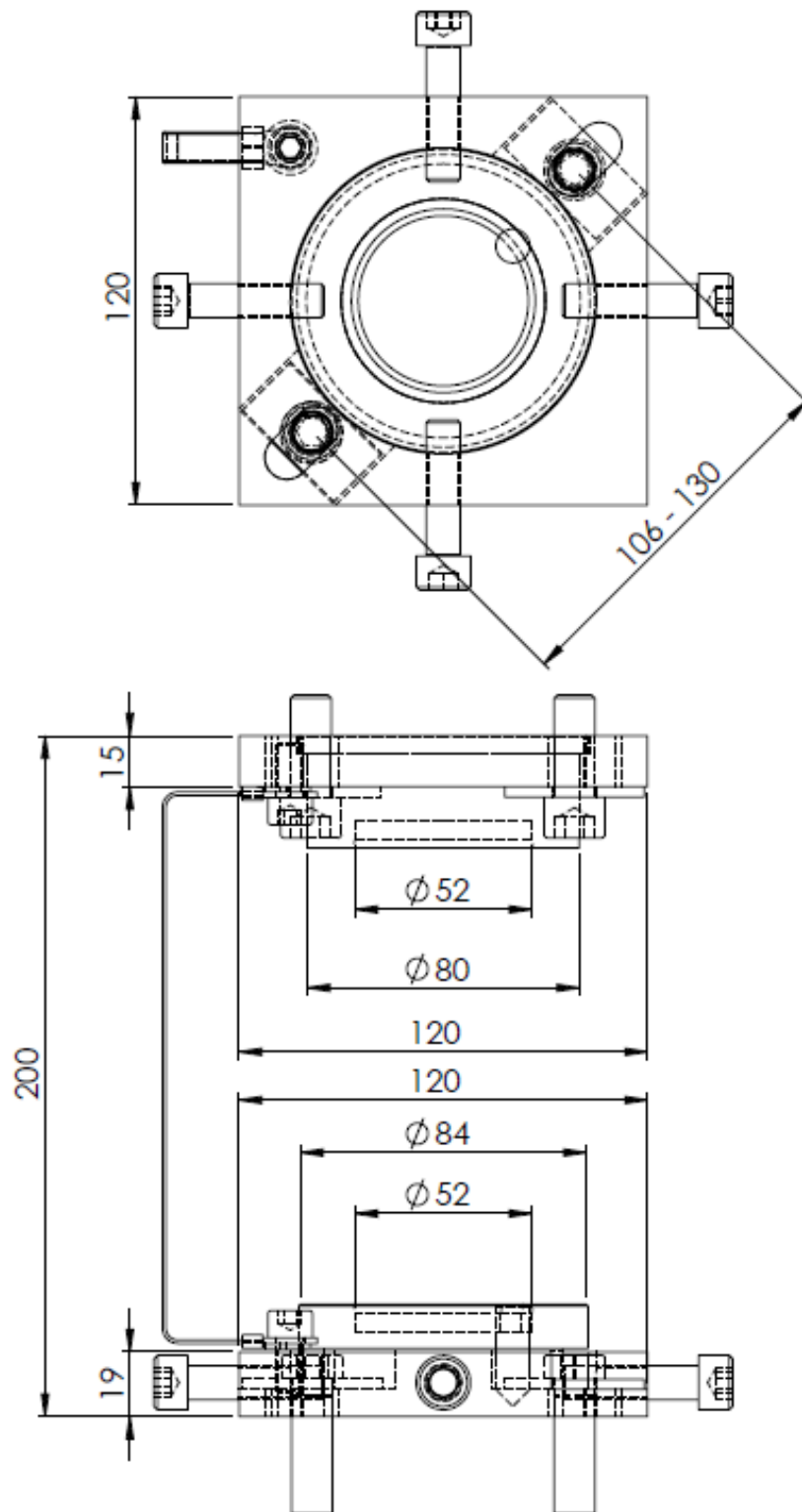
Capacity	10t – 50t
Build in height	200 mm
Distance between fastenings bolts	106 – 130 mm
Horizontal adjustment	Up to 10 mm

Set content

Description	Full article description	Quantity	Dimensions
Baseplate	HM-14-441 Baseplate	1 piece	
Topplate	HM-14-441 Topplate	1 piece	
Rocker support	Modified BY-14-108 for HM-14-441	1 set	
Washerplate	HM-14-441 Washer Plate	4 pieces	
Socket head cap screw	DIN7984 for Baseplate	2 pieces	M12 x 30
Socket head cap screw	DIN912 for topplate	2 pieces	M12 x 40
Socket head cap screw	DIN912 for earth strip	2 pieces	M8 x 16
Earth strip	Earth strip	1 piece	250 mm
Washer	DIN 125 – A 8.4 for earth strip	2 pieces	M8
Socket head cap screw	Bolts for bottom plate to BY-14-108 assembly	4 pieces	M10 x 40

Specifications and dimensions are subject to change without notice and do not constitute any liability whatsoever.

Dimensions in mm



Specifications and dimensions are subject to change without notice and do not constitute any liability whatsoever.