



Short description



- Easy load cell access
- Nickel plated alloy steel
- Self-alignment ability
- Can be used with Load Cell models: BM14A

Available models

Model	Capacity	Full article description	Part number
HM-14-420	100t	HM-14-420-100t	2140204
	200t	HM-14-420-200t	2140205

Detailed specifications HM-14-420

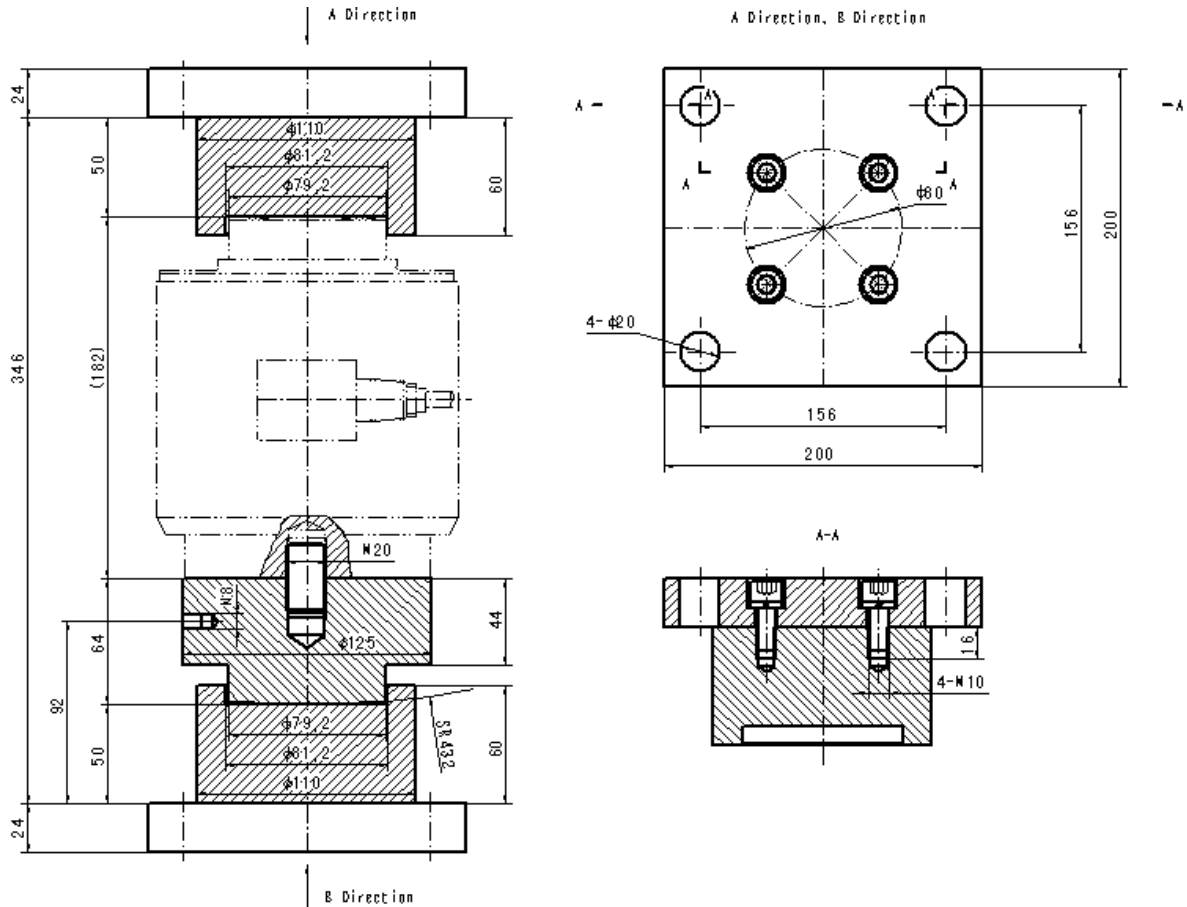
Capacity	100t	200t
Maximum vertical force (up)	100 kN	225 kN
Maximum horizontal force	15 kN	15 kN
Maximum horizontal movement	+2 / -2 mm	+2 / -2 mm

Specifications and dimensions are subject to change without notice and do not constitute any liability whatsoever.

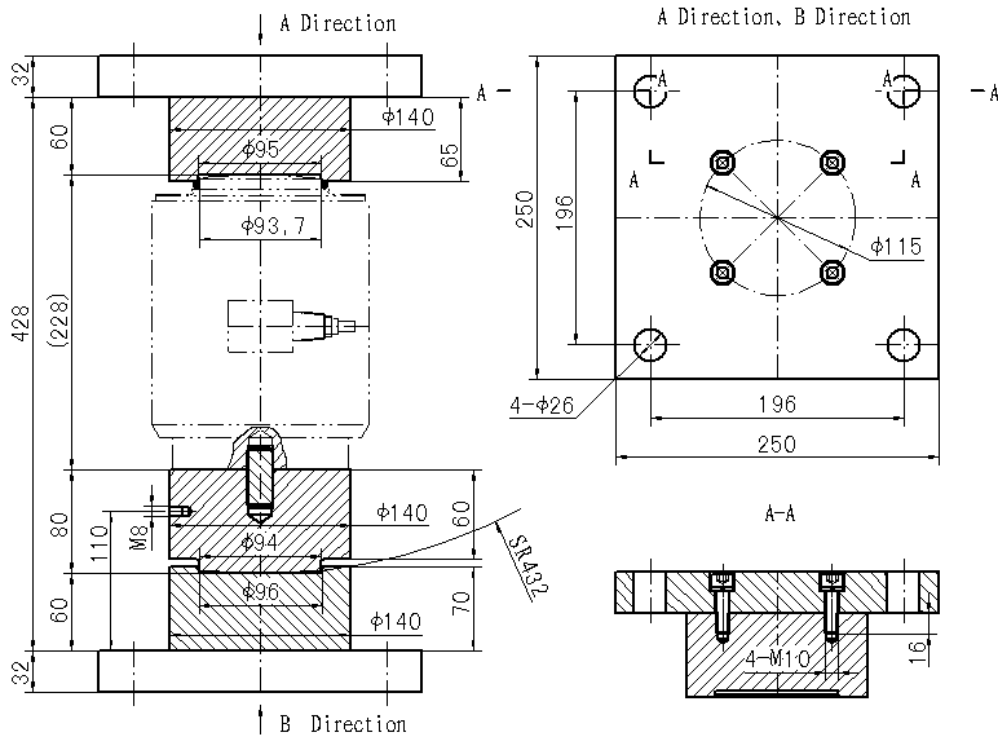
Type HM-14-420

Dimensions in mm

HM-14-420-100t:



HM-14-420-200t:



Specifications and dimensions are subject to change without notice and do not constitute any liability whatsoever.