

Short Description

- Complete mounting set for quick and easy mounting.
- This includes:
a loadcell dummy, transport plate, lift off protection and an earthing cable.
- Stainless steel
- Mount delivered without working loadcell and without stay rod/rod end.
Those parts need to be ordered separately.
- To be used with Load Cell models: B8D

Available Models

| Model | Capacity | Full Article Description | Part Number |
|----------|-----------|--------------------------------|-------------|
| BM-8-902 | 0.25t | BM-8-902-0.25t | 20820530 |
| | 0.5t – 2t | BM-8-902-0.5/2t | 20820540 |
| | 5t | BM-8-902-5t | 20820550 |
| | 0.1t – 2t | Rod End 0.1/2t Stainless Steel | 20820680 |
| | 2.5t – 5t | Rod End 2.5/5t Stainless Steel | 20820690 |

Technical Specifications BM-8-902

| Capacity with load cell | 0.25t – 2t | 5t |
|--|----------------|-------|
| Maximum vertical force (down) with dummy loadcell | 15 kN | 30 kN |
| Maximum vertical force (up) | 15 kN | 30 kN |
| Maximum horizontal force (with stay rod installed) | 20 kN | 40 kN |
| Maximum horizontal movement (without stay rod) | +1.5 / -1.5 mm | |

Notes:

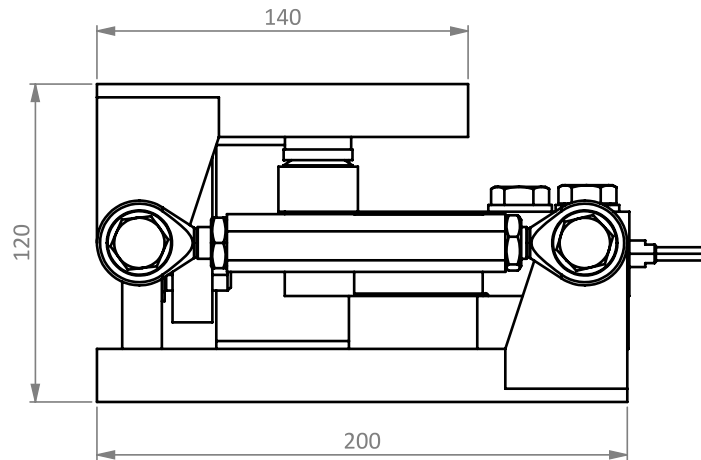
-When horizontal forces are expected in use, we recommend installing the stay rod.

-Front View drawings show U-shaped transport plate installed. Please refer to installation manual.

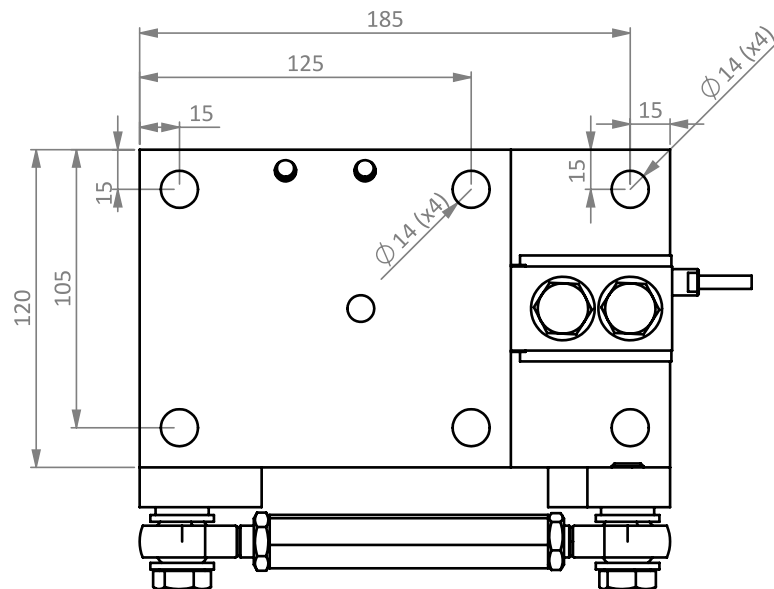
Dimensions in mm

0.25t – 2t

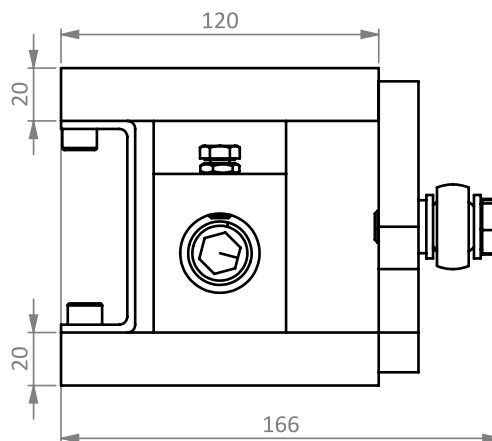
Side View



Top View



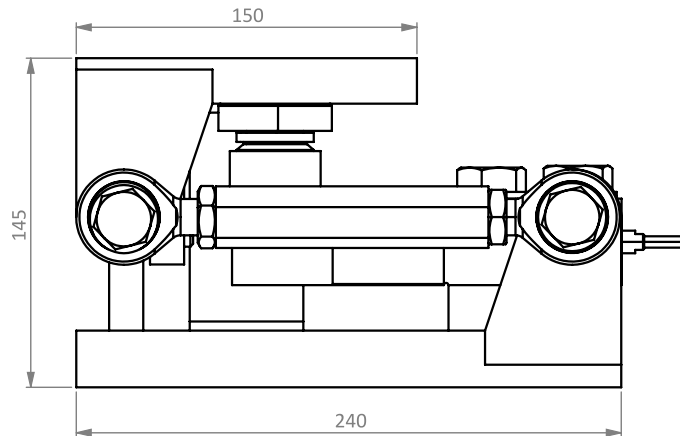
Front View



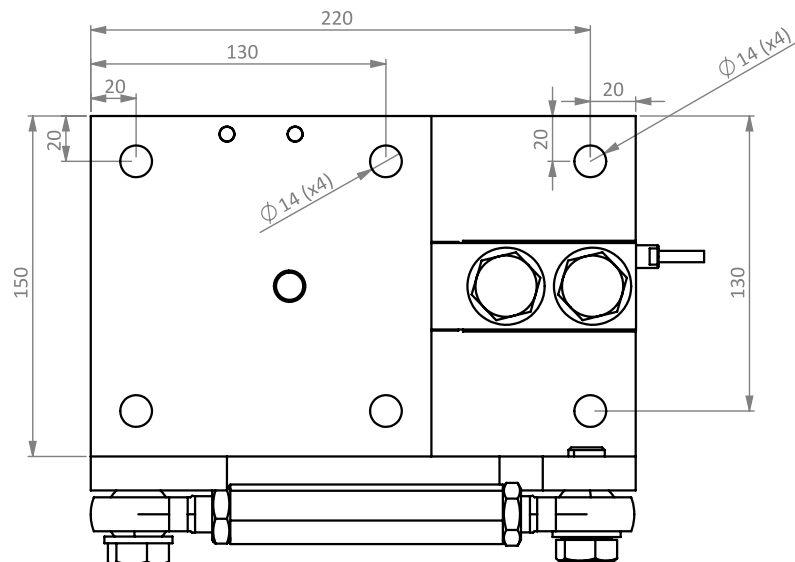
Specifications and dimensions are subject to change without notice and do not constitute any liability whatsoever.

5t

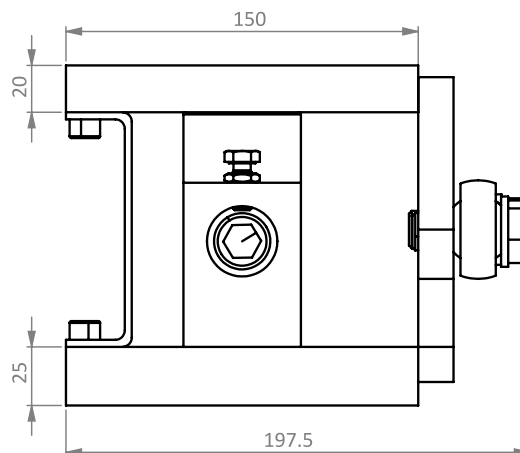
Side View



Top View



Front View



Specifications and dimensions are subject to change without notice and do not constitute any liability whatsoever.