



Short description



- Easy installation
- Anti-reversal ability
- Nickel plated alloy steel
- Can be used with Load Cell models: H9C, HM9C and B9C

Available models

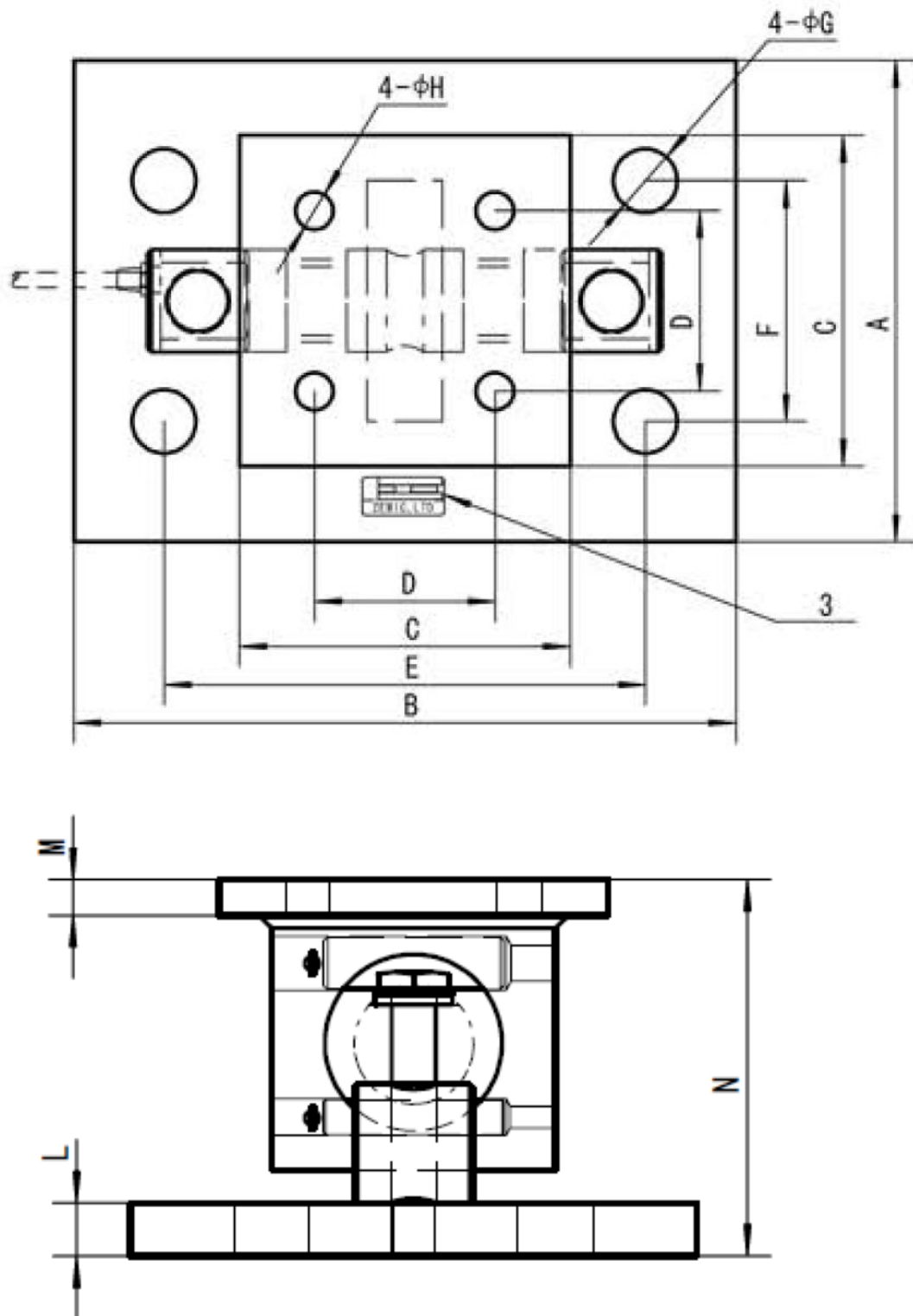
Model	Capacity	Full article description	Part number
HM-9-409	5Klb – 20Klb	HM-9-409-5/20K	2090011

Detailed specifications HM-9-409

Capacity	All Capacities
Safe overload	150% of Emax
Maximum overload	300% of Emax
Maximum anti-rotation	40% of Emax
Maximum anti-side loading	20% of Emax
Maximum vertical lifting	5-20K: 3.3K

Specifications and dimensions are subject to change without notice and do not constitute any liability whatsoever.

Dimensions in mm



Dimension Capacity	A	B	C	D	E	F	ϕG	ϕH	L	M	N
5 – 20K	200	280	150	85	205	100	16	16	20	12	136

Specifications and dimensions are subject to change without notice and do not constitute any liability whatsoever.