



Short description



- Self aligning construction
- Anti-reversal ability
- Nickel plated alloy steel
- Can be used with Load Cell models: H9C, HM9C and B9C

Available models

Model	Capacity	Full article description	Part number
HM-9-401	5Klb – 20Klb	HM-9-401-5/20K	2090010
	30Klb – 75Klb	HM-9-401-30/75K	2090020
	100Klb	HM-9-401-100K	2090030
	150Klb	Hm-9-401-150K	2090040
	200Klb – 250Klb	HM-9-401-200/250K	2090050

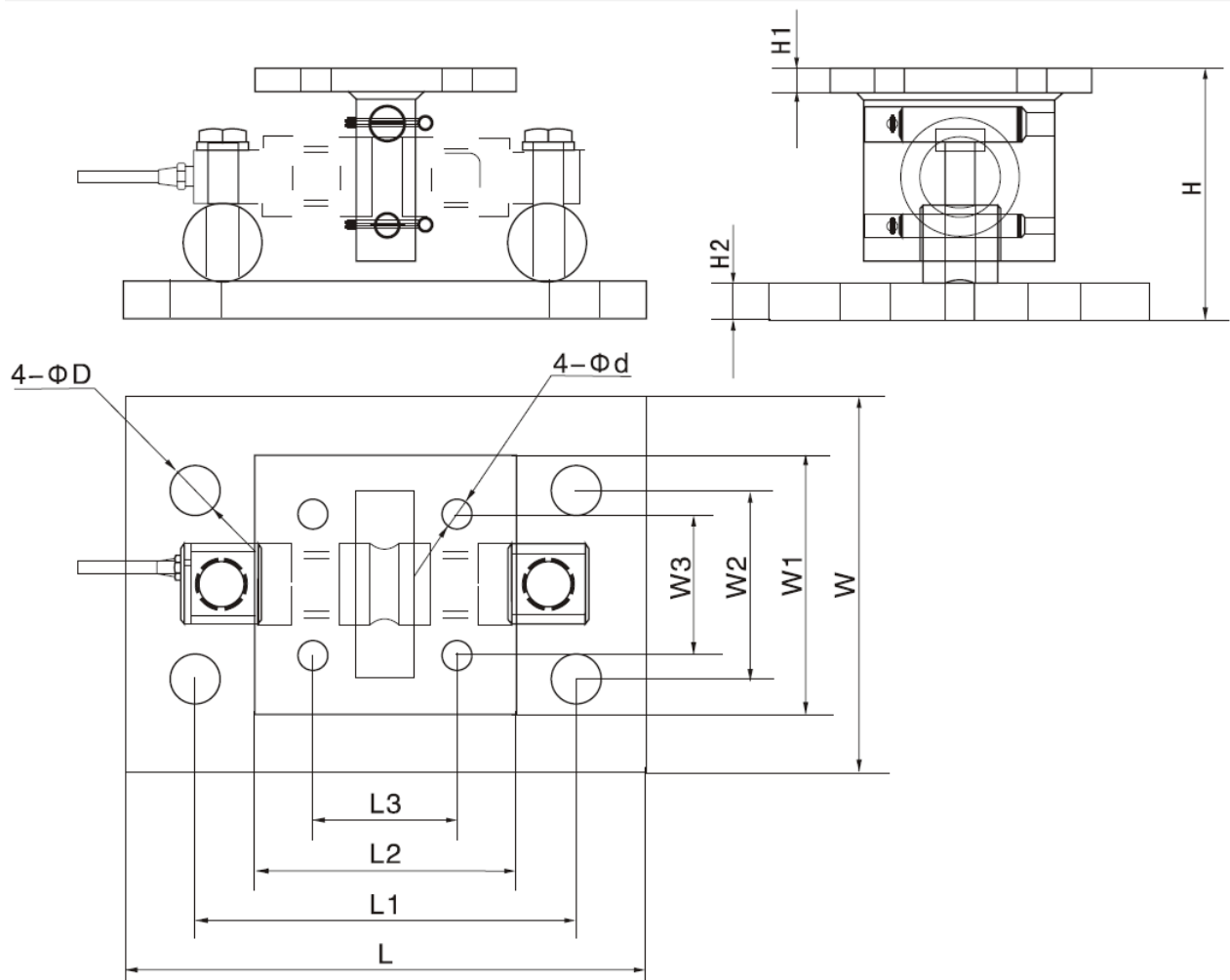
Detailed specifications HM-9-401

Capacity	All Capacities			
Safe overload	150% of Emax			
Maximum overload	300% of Emax			
Maximum anti-rotation	40% of Emax			
Maximum anti-side loading	20% of Emax			
Maximum vertical lifting	5-20K: 3.3K	30-75K: 11K	100-150K: 16.5K	200-250K: 68K

Specifications and dimensions are subject to change without notice and do not constitute any liability whatsoever.

Type HM-9-401

Dimensions in mm



Dimension Capacity	L	L1	L2	L3	W	W1	W2	W3	H	H1	H2	ØD	Ød
5 – 20K	279.4	203.2	139.7	76.2	203.2	139.7	101.6	76.2	139.2	12.7	19	26.9	16
30 – 75K	381	292.1	203.2	130.3	254	203.2	152.4	130.3	214.1	19.1	25	31	19.1
100 – 150K	457.2	355.6	254	190.5	304.8	254	228.6	190.5	246	31.8	31.8	35.1	20.6
200 – 250K	660.4	508	304.8	228.6	304.8	304.8	152.4	228.6	400	50.8	50.8	47.8	26.9

Specifications and dimensions are subject to change without notice and do not constitute any liability whatsoever.