



Short description



- Lift-off protection
- Self aligning construction
- Nickel plated alloy steel
- Can be used with Load Cell models: H8 and HM8

Available models

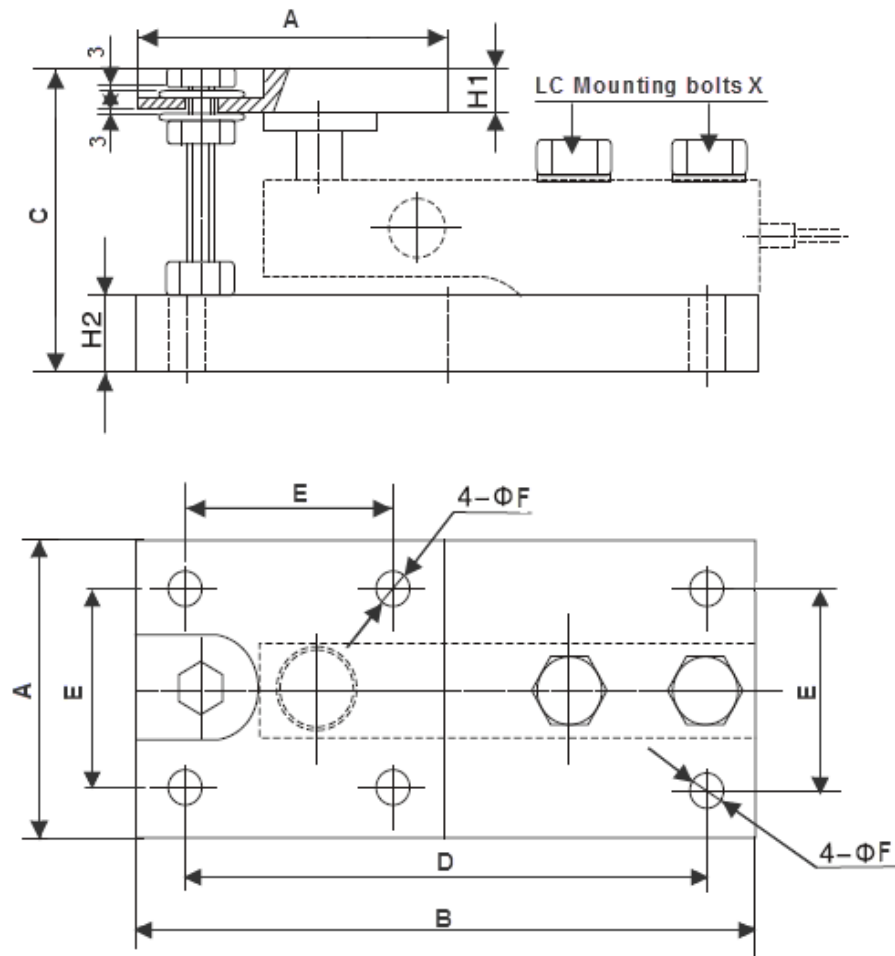
Model	Capacity	Full article description	Part number
HM-8-401	0.5 – 2t	HM-8-401-1-0.5t/2t (fixed)	2082010
	3t	HM-8-401-1-3t (fixed)	2082012
	5t	HM-8-401-1-5t (fixed)	2082020
	10 – 15t	HM-8-401-1-10/15t (fixed)	2082030
	20t	HM-8-401-1-20t (fixed)	2082040

Detailed specifications HM-8-401

Capacity	0.5t – 2t	3t	5t	10t – 15t	20t
Maximum vertical force (down) without load cell	15 kN	15 kN	30 kN	60 kN	80kN
Maximum vertical force (up)	10 kN	10 kN	20 kN	40 kN	80kN
Maximum horizontal force	5 kN	5 kN	10 kN	20 kN	100kN
Maximum horizontal movement	+2.5 / -2.5 mm	+2.5 / -2.5 mm	+2.5 / -2.5 mm	+4 / -4 mm	+4 / -4 mm

Specifications and dimensions are subject to change without notice and do not constitute any liability whatsoever.

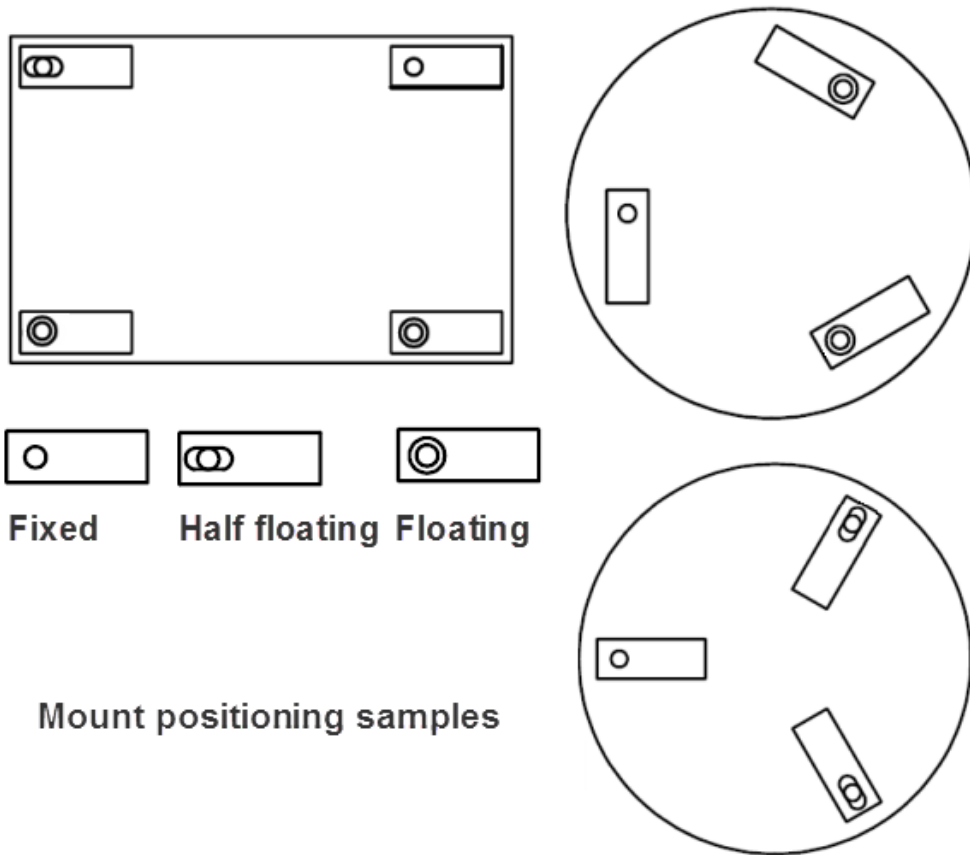
Dimensions in mm



Dimension Capacity	A	B	C	D	E	ØF	H1	H2	X
0.5t – 2t	114.3	240	104.8	214.6	88.9	11	25.4	25.4	M12 x 70
3t	114.3	240	104.8	214.6	88.9	11	25.4	25.4	M14 x 70
5t	152.4	300	152.4	249.2	101.6	17.5	42	42	M20 x 100
10t – 15t	203.2	355.6	190.5	304.8	152.4	20.6	44.5	44.5	M27 x 120
20t	228.6	406.4	228.6	342.9	165.1	25.5	50.8	50.8	M33 x 140

Specifications and dimensions are subject to change without notice and do not constitute any liability whatsoever.

Mount positioning



During installation you have to make sure that the top-plate can move freely.

The space between the top-plate and lift-off protection bolt head, and nut below should be sufficient to let the top-plate move freely. 3mm is the recommended space.

Specifications and dimensions are subject to change without notice and do not constitute any liability whatsoever.