

## Short description



- Anti-reversal ability
- Easy installation
- Nickel plated alloy steel
- Self-aligning ability
- Can be used with Load Cell models: H2F
- Available in fixed and floating version

## Available models

Model	Capacity	Full article description	Part number
HM-2-401	1t	HM-2-401-1-1.0t (Fixed)	2020000
	2t	HM-2-401-1-2.0t (Fixed)	2020002
	3t	HM-2-401-1-3.0t (Fixed)	2020003
	5t	HM-2-401-1-5.0t (Fixed)	2020005
	10t	HM-2-401-1-10t (Fixed)	2020010
	15t	HM-2-401-1-15t (Fixed)	2020020
	20t	HM-2-401-1-20t (Fixed)	2020030
	30t	HM-2-401-1-30t (Fixed)	2020040
	50t	HM-2-401-1-50t (Fixed)	2020050

Specifications and dimensions are subject to change without notice and do not constitute any liability whatsoever.

## Design

An application which is located in an area with temperature change is subject to crimping and thermal expansion. The crimping and expansion induces force into the mounts and deforms the loadcells which gives a signal change. To prevent this from happening a fixed and floating system is introduced. Here an explanation about this fixing and floating system. The numbers 1 and 3, behind the article number, tells what kind of system is used for the mount.

**Note:** With this mount version '2', half floating position is not used.

A. Fixed mounts (HM-2-401-'1') have no play in the horizontal plane in any direction.

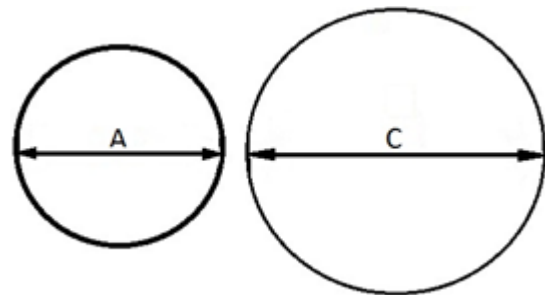
Symbol: 

B. Floating mounts (HM-2-401-'3') have play in the horizontal plane in all directions.

Symbol: 

### Fixed, half-floating, floating hole & mount positioning

Dimension(mm)	Fixed (A)	Floating ( C )
1t	35.6	40.6
2t	41.6	46.6
3t	35.6	40.6
5t	37.6	42.6
10t	57.6	62.6
15t	59.6	64.6
20t	61.5	66.5
30t	69	74
50t	73	78



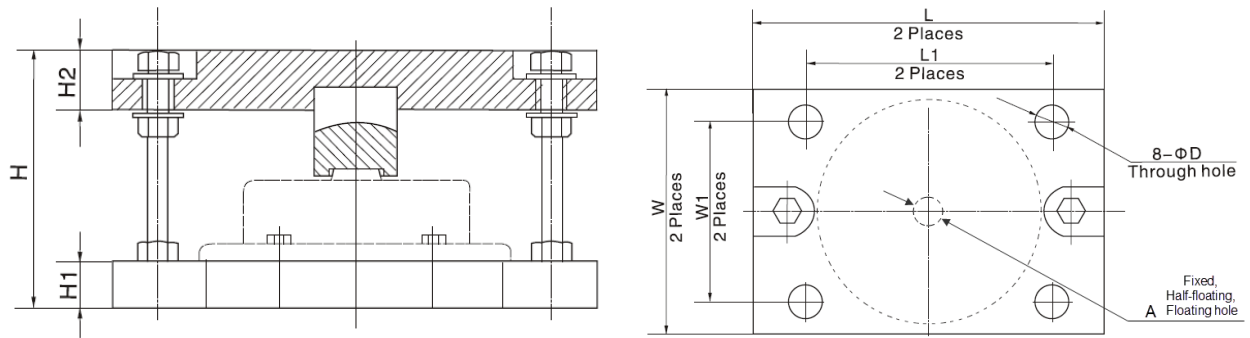
During installation you have to make sure that the top-plate can move freely.

The space between the top-plate and lift-off protection bolt head, and nut below should be sufficient to let the top-plate move freely. 3mm is the recommended space.

Specifications and dimensions are subject to change without notice and do not constitute any liability whatsoever.

# Type HM-2-401

Dimensions in mm



Dimension capacity	H	H1	H2	L	L1	W	W1	ØD
1t – 5t	112	20	27	228	168	170	110	17.5
10t	143	25	31	260	200	200	140	20
15t	163	30	37	294	234	234	174	20
20t	173	30	37	320	260	260	200	20
30t	200	35	47	330	270	270	210	23
50t	225	40	55	364	294	294	224	27

Specifications and dimensions are subject to change without notice and do not constitute any liability whatsoever.