



Short description



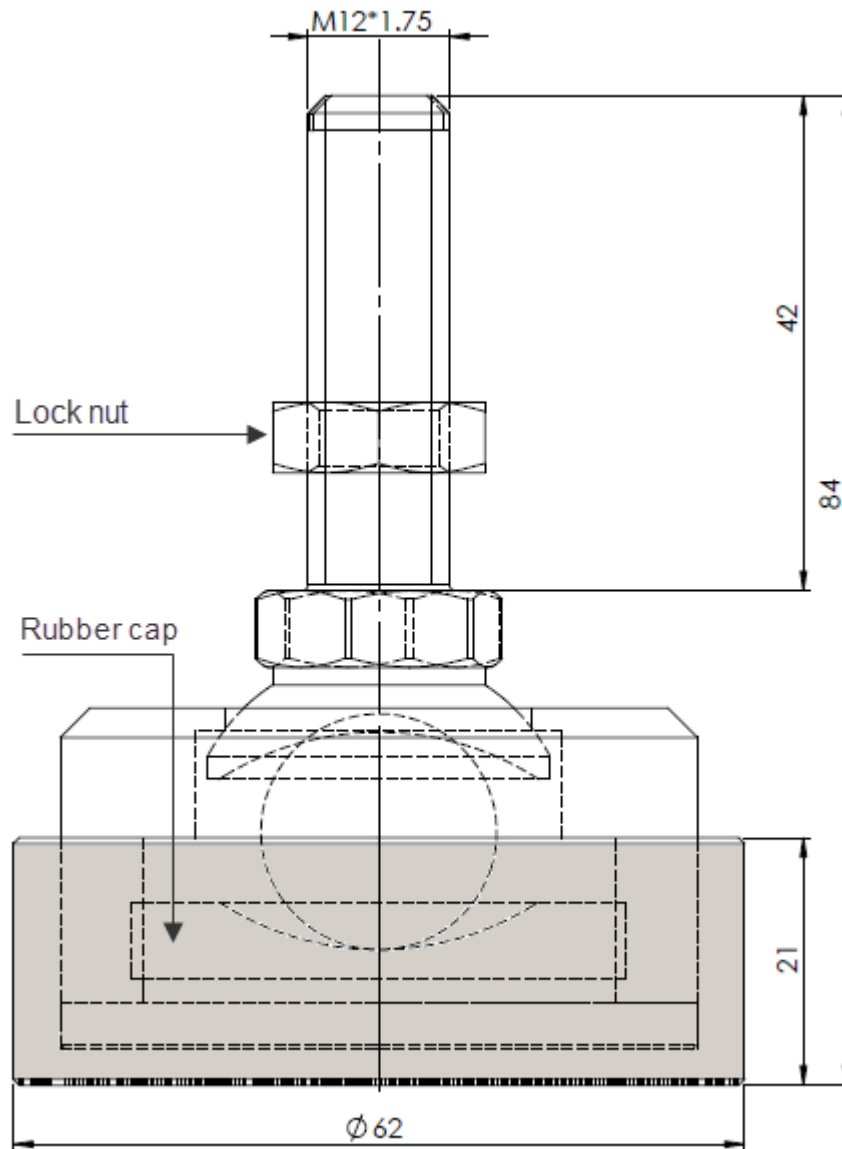
- Height adjustable foot
- Easy installation
- Alloy steel Zinc plated
- Good self-restoring ability
- Can be used with Load Cell models: H8C, B8D and BM8D

Available models

Model	Capacity	Full article description	Part number
HJ-8-228-02	0.1t – 2t	HJ-8-228-0,1t/2t-02	2080613

Specifications and dimensions are subject to change without notice and do not constitute any liability whatsoever.

Dimensions in mm



Specifications and dimensions are subject to change without notice and do not constitute any liability whatsoever.