



Short description



- Height adjustable foot
- Easy installation
- Nickel plated alloy steel
- Can be used with Load Cell models: H8C, B8D, BM8D

Available models

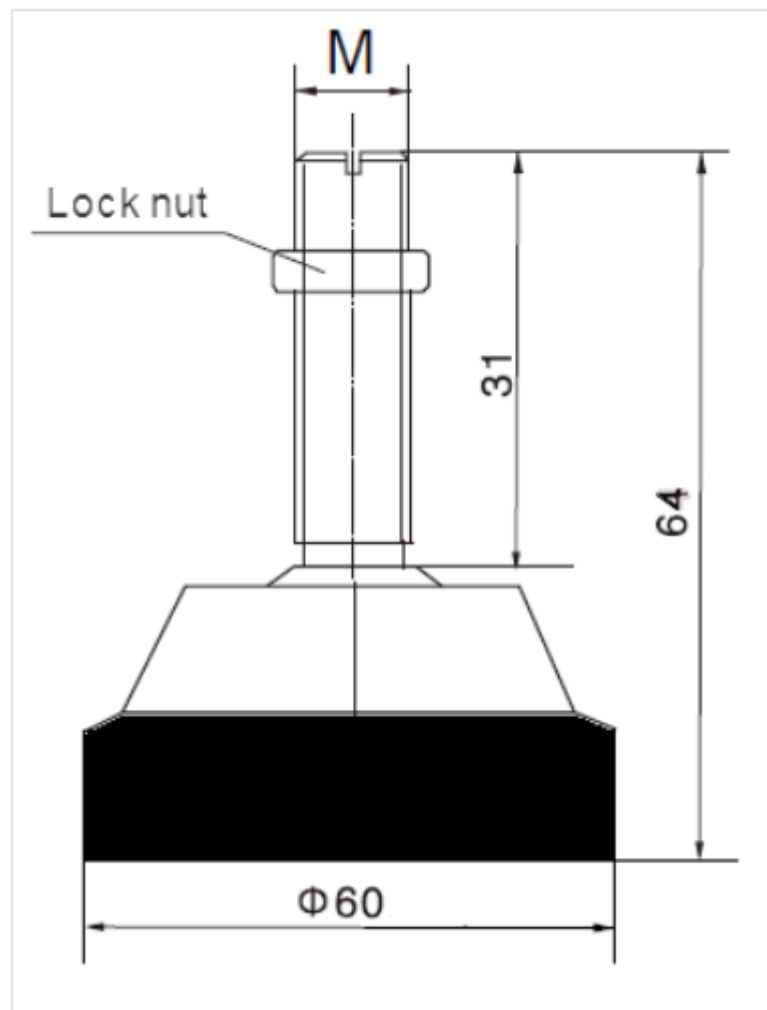
Model	Capacity	Full article description	Part number
HJ-8-213	0.1t – 2t	HJ-8-213-0.1/2t	2080011
	Low capacity	HJ-8-213-low capacity M10	2080111

Detailed specifications HJ-8-213

Capacity	0.1t – 2t
Maximum vertical force (down)	30kN
Maximum horizontal movement	+1 / -1 mm

Specifications and dimensions are subject to change without notice and do not constitute any liability whatsoever.

Dimensions in mm



Dimension Type	Capacity	M
HJ-8-213	0.1t – 2t	M12 x 1.75
	Low capacity	M10

Specifications and dimensions are subject to change without notice and do not constitute any liability whatsoever.