



Short description



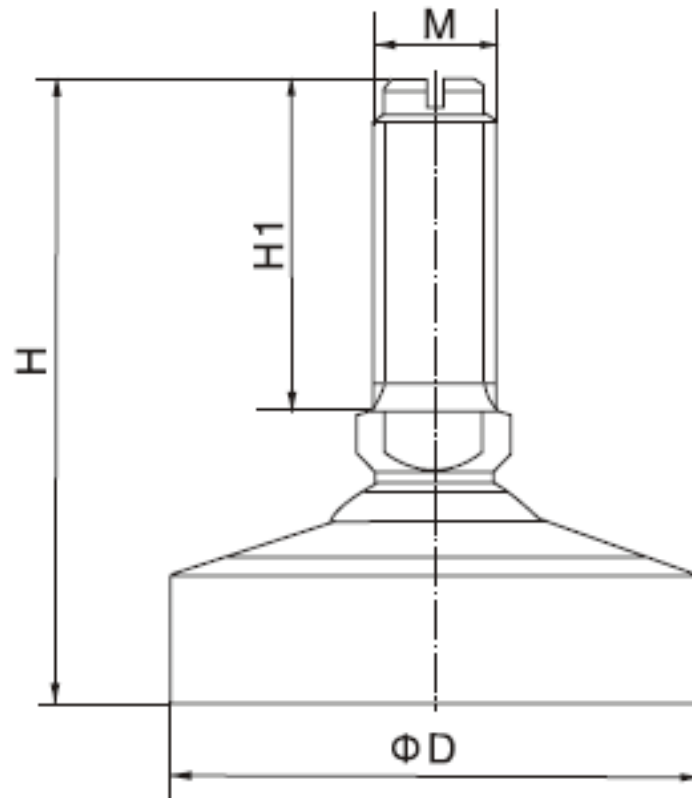
- Height adjustable foot
- Easy installation
- Nickel plated alloy steel
- Can be used with Load Cell models: H8C, B8D and BM8D

Available models

Model	Capacity	Full article description	Part number
HJ-8-208	0.1t – 2t	HJ-8-208-0.1t/2t	2080610
	2.5t – 5t	HJ-8-208-2.5t/5t M18	2080620
	2.5t – 5t	HJ-8-208-2.5t/5t M20	2080621
	1klb – 5kSE	HJ-8-208-1/5KSE	2080630
	5klb – 10klb	HJ-8-208-5/10K	2080640

Specifications and dimensions are subject to change without notice and do not constitute any liability whatsoever.

Dimensions in mm (inch)



Dimension Type	Capacity	ΦD	H1	H	M
HJ-8-208	0.1t – 2t	60	42	74	M12 x 1.75
	2.5t – 5t	80	50	95	M18 x 1.5
	2.5t – 5t	80	50	95	M20 x 2.5
	1klb – 5kSE	(2.36)	(1.65)	(2.91)	1/2-20UNF
	5klb – 10klb	(3.15)	(1.97)	(3.74)	3/4-16UNF

Specifications and dimensions are subject to change without notice and do not constitute any liability whatsoever.