



Short description



- Easy installation
- Spacer plates
- Nickel plated alloy steel
- Can be used with Load Cell models: B8D, H8C and BM8D

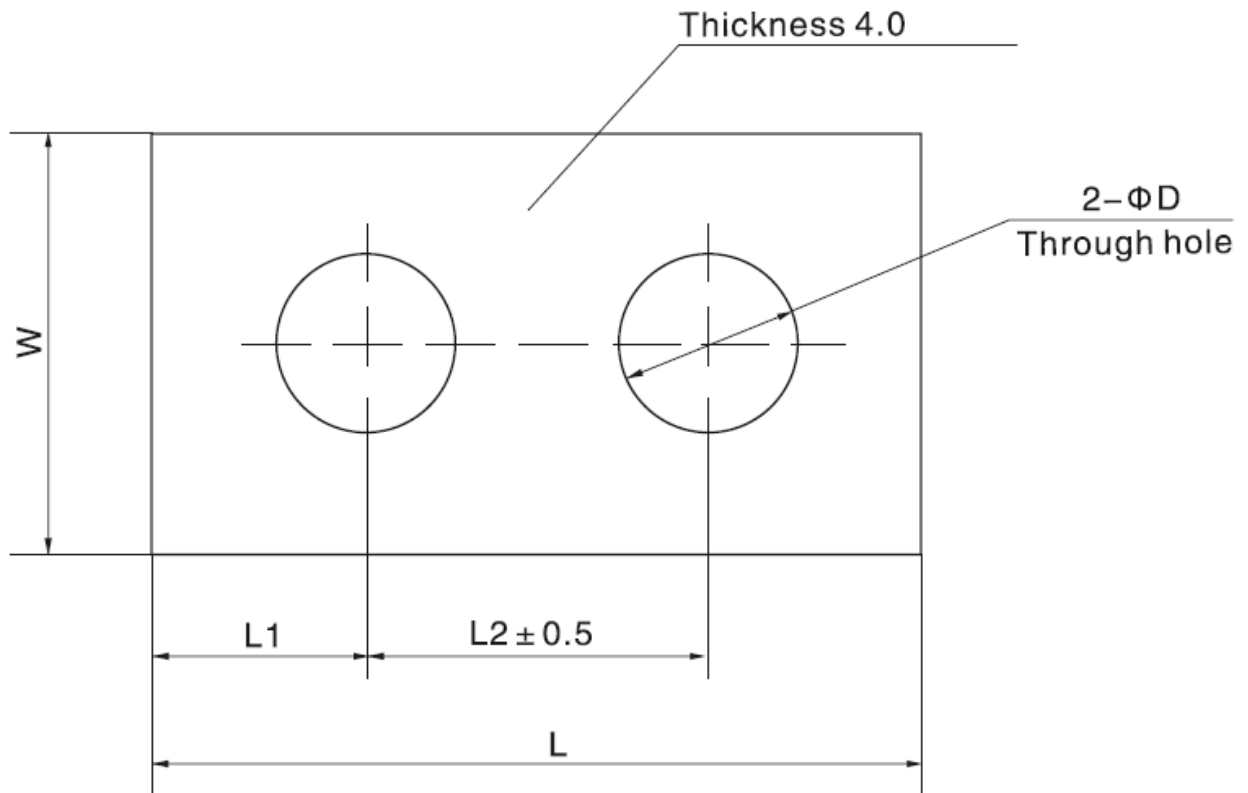
Available models

Model	Capacity	Full article description	Part number
HD-8-301	0.5t – 2t	HD-8-301-0.5t/2t	2081010
	2.5t – 5t	HD-8-301-2.5t/5t	2051020
	10t	HD-8-301-10t	2081025

Specifications and dimensions are subject to change without notice and do not constitute any liability whatsoever.

Type HD-8-301

Dimensions in mm (inch)



Dimension Type	Capacity	L	L1	L2	W	D
HD-8-301	0.5t – 2t	54	13	25.4	32	14
	2.5t – 5t	76	19	38	38	20
	10t	102	25	50	51	27

Specifications and dimensions are subject to change without notice and do not constitute any liability whatsoever.