



## Short description



- Self aligning construction
- Easy load cell access
- Stainless steel
- Lift-off protection
- Stabilized by rod
- Can be used with Load Cell models: BM8H

## Available models

Model	Capacity	Full article description	Part number
BM-8-412	0.5 – 1t	BM-8-412-0.5t/1t	2085049
	1.5 – 2t	BM-8-412-1.5t/2t	2085051
	5t	BM-8-412-5t	2085053

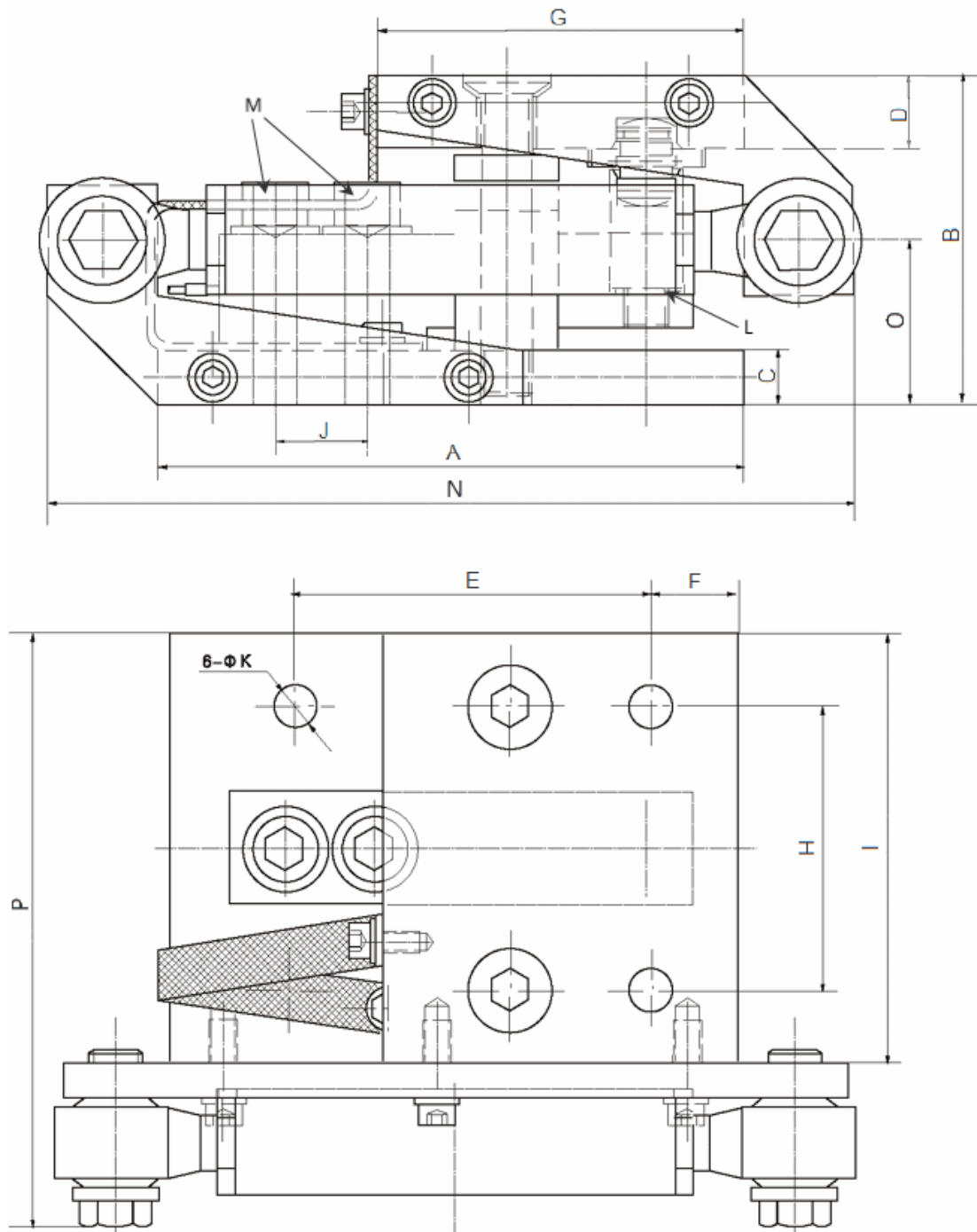
## Detailed specifications BM-8-412

Capacity	0.5t – 1t	1.5t – 2t	5t
Maximum vertical force (down)	15 kN	15 kN	30 kN
Maximum vertical force (up)	10 kN	10 kN	20 kN
Maximum force parallel to the stay rod	10 kN	10 kN	20 kN
Maximum horizontal force	5 kN	5 kN	10 kN
Maximum horizontal movement	+2 / -2 mm	+2 / -2 mm	+2 / -2 mm

Specifications and dimensions are subject to change without notice and do not constitute any liability whatsoever.

# Type BM-8-412

Dimensions in mm



Dimension Capacity	A	B	C	D	E	F	G	H	I	J	ØK	L	M	N	O	P
0.5t – 1t	160	90	15	20	100	25	100	80	120	25.4	14	Incl.	M12 x 45	210	45	153
1.5t – 2t	160	90	15	20	100	25	100	80	120	25.4	14	Excl.	M12 x 50	210	45	153
5t	185	125	20	20	135	25	120	100	150	38.1	18	Excl.	M20 x 65	245	62.5	153

Specifications and dimensions are subject to change without notice and do not constitute any liability whatsoever.