



Short description



- Self aligning construction
- Easy load cell access
- Stainless steel
- Lift-off protection
- Can be used with Load Cell models: BM8H

Available models

Model	Capacity	Full article description	Part number
BM-8-406	0.5 – 2t	BM-8-406-0.5t/2t	2085010
	5t	BM-8-406-5t	2085020

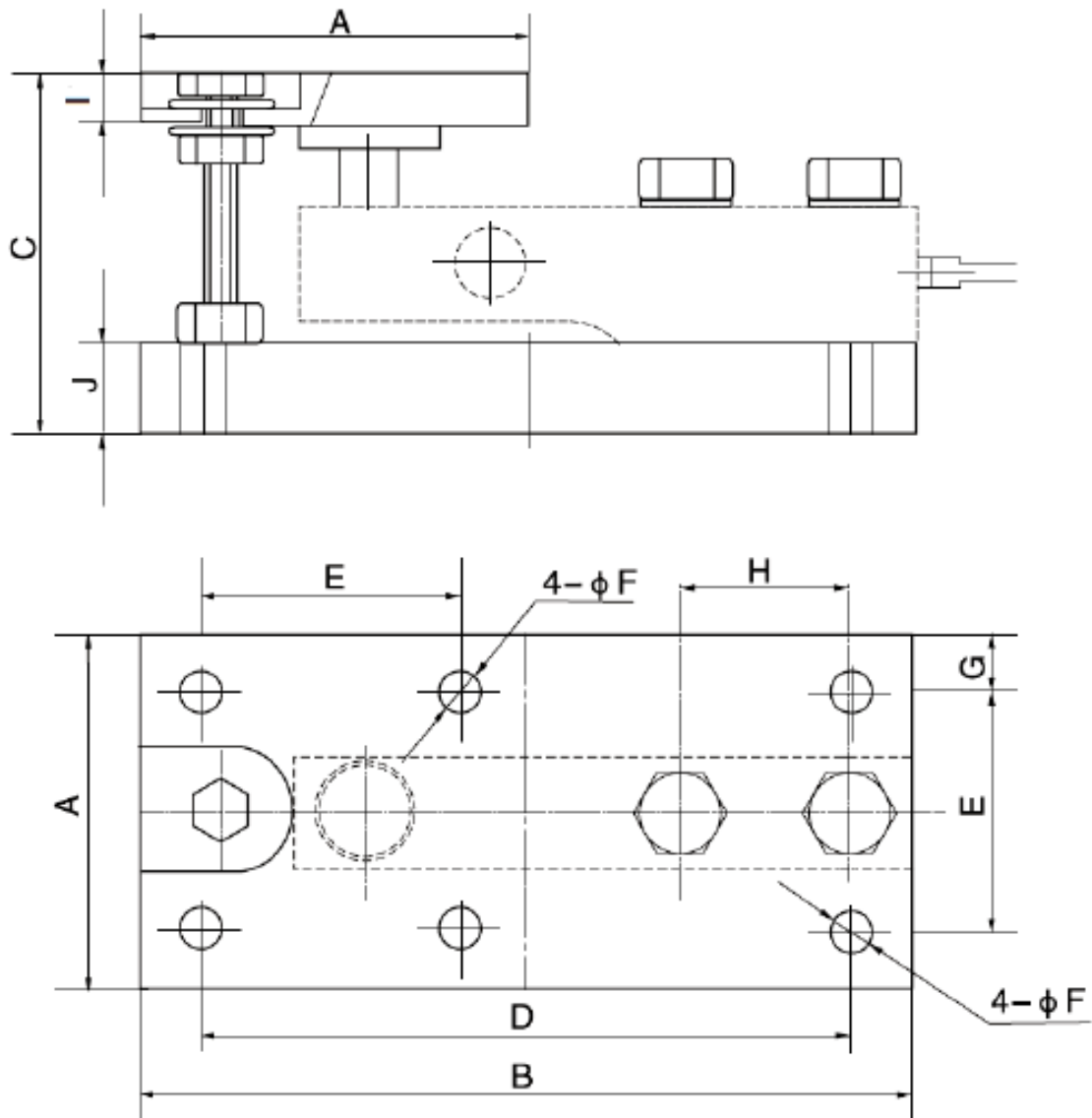
Detailed specifications BM-8-406

Capacity	0.5t – 2t	5t
Maximum vertical force (down)	10 kN	30 kN
Maximum vertical force (up)	5 kN	10 kN
Maximum horizontal force	5 kN	15 kN
Maximum horizontal movement	+2 / -2 mm	+2 / -2 mm

Specifications and dimensions are subject to change without notice and do not constitute any liability whatsoever.

Type BM-8-406

Dimensions in mm



Dimension Capacity	A	B	C	D	E	∅F	G	H	I	J
0.5t – 2t	114.3	177.8	104.8	152.4	88.9	11	12.7	25.4	25	19
5t	152.4	235	136.5	184.2	101.6	17.5	25.4	38.1	32	25.4

Specifications and dimensions are subject to change without notice and do not constitute any liability whatsoever.