



Short description



- Height adjustable foot
- Easy installation
- Stainless steel
- Can be used with Load Cell models: BM8H and H8H

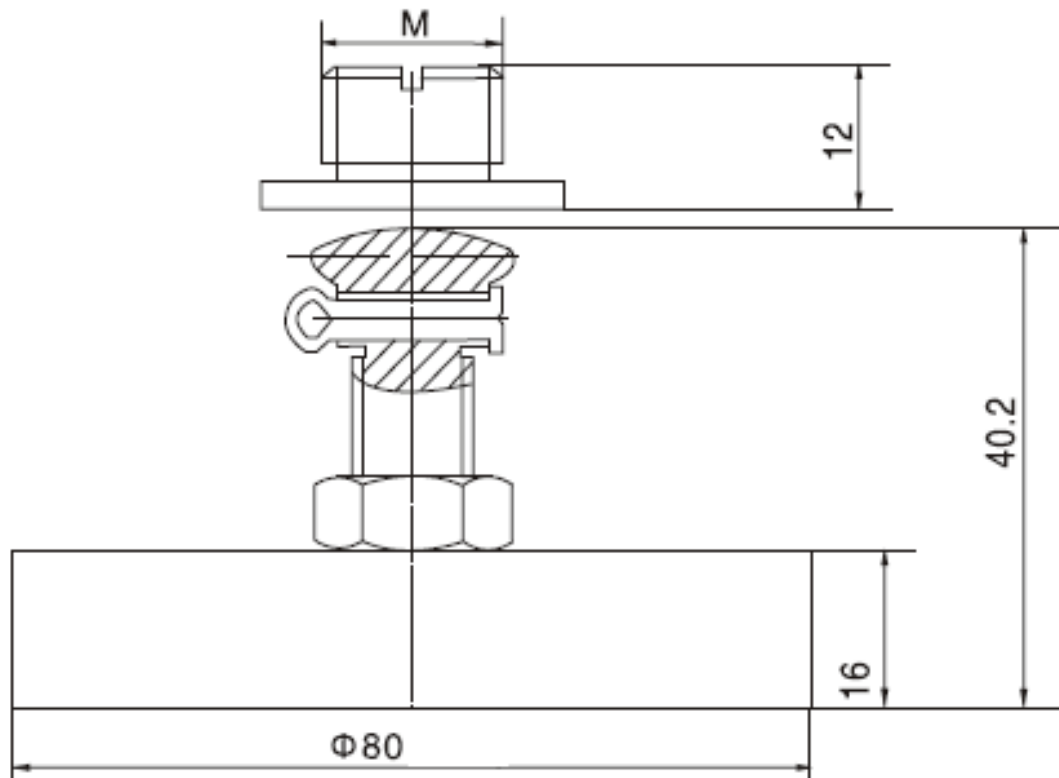
Available models

Model	Capacity	Full article description	Part number
BJ-8-206	0.25t – 2t	BJ-8-206-0.25t/2t	2080410

Specifications and dimensions are subject to change without notice and do not constitute any liability whatsoever.

Type BJ-8-206

Dimensions in mm



Dimension Type	Capacity	M
BJ-8-206	0.25t – 2t	M12 x 1.75

Specifications and dimensions are subject to change without notice and do not constitute any liability whatsoever.