

## SBK\_C6

"SBK C6" SERIES IP68 STAINLESS STEEL SHEAR BEAM LOAD CELLS, 350 Ohm, C6 CLASS



Stainless steel shear beam load cells suitable for building, for example, CE-M approved scales with 4 load cells or for weighing tanks and hoppers with the relevant accessories.

---

**CAPACITIES (kg):** 500, 1000, 2000.

---

**OIML R60. C6** precision class.

---

**Stainless steel. IP68** protection.

---

The best solution  
for advanced industrial  
applications

## MAIN FEATURES

- C6 PRECISION CLASS
- STAINLESS STEEL CONSTRUCTION
- IP68 PROTECTION
- MAX. CAPACITIES FROM 500 TO 2000 kg
- SHIELDED CONNECTION CABLE
- OIML CERTIFICATE AVAILABLE UPON REQUEST
- TEST CERTIFICATE AVAILABLE UPON REQUEST

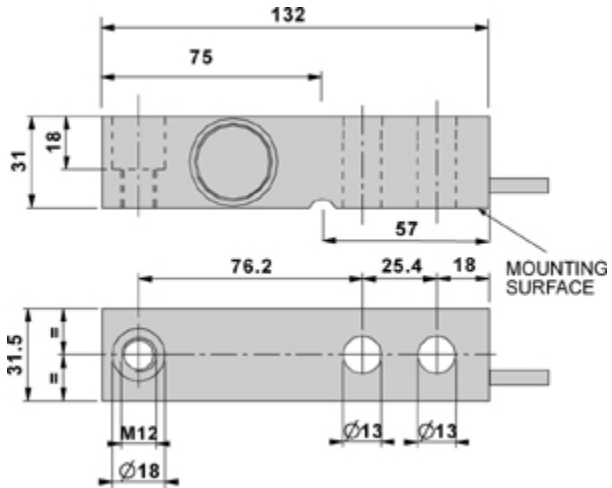
## TECHNICAL FEATURES

- Minimum load cell verification interval:  $V_{min} = E_{Max} / 15.000$
- Maximum number of verification intervals:  $nLC = 6000$
- Combined error: 0,008% of Full Scale Output (F.S.)
- Full Scale Output: 2mV/V
- Temperature effect on zero: 0,0009% /°C
- Temperature effect on full scale output: 0,0007% /°C
- Compensated Temperature Range: -10°C/+40°C
- Operating Temperature Range: -20°C/+60°C
- Creep error after 30 minutes: 0,012% F.S.
- Maximum tolerated excitation voltage: 15 VDC
- Input Resistance:  $385 \pm 20$  Ohm
- Output Resistance:  $350 \pm 5$  Ohm
- Insulation Resistance: >5000 MOhm
- Safe Overload: 150% F.S.
- Ultimate Overload: 200% F.S.
- 6-wire shielded cable, 5m long.

## ATEX VERSION

- The CCATEX certificate makes the load cell suitable for use in hazardous areas with protection methods according to:  
ATEX II 1G Ex ia IIC T6 (Ta -20÷+40°C) TX (Ta -20÷+65°C) Ga  
ATEX II 1D Ex ta IIIC TX°C (Ta -20÷+40°C) TX°C (Ta -20÷+65°C) Da IP65.  
The certificate includes the manual and the ATEX CE conformity declaration (available in EN, DE, FR, and IT).
- **IMPORTANT:** the certificate refers to the single load cell. For systems with more load cells, it is necessary to order one certificate for each load cell.

## DETAIL 1



Dimensions (mm)

Wiring Code	
<i>Colour</i>	<i>Function</i>
--	SHIELD
YELLOW	OUTPUT +
GREY	SENSE +
BROWN	INPUT +
WHITE	OUTPUT -
GREEN	INPUT -
PINK	SENSE -

## VERSIONS

Available versions

Codice	Max (kg)
SBK500C6 	500
SBK1000C6 	1000
SBK2000C6 	2000



“YOUR WORLDWIDE PARTNER FOR WEIGHING,”

**DINI ARGEO**  
**FRANCE sarl**  
France

**DINI ARGEO**  
**GMBH**  
Germany

**DINI ARGEO**  
**UK Ltd**  
United Kingdom

**DINI ARGEO WEIGHING**  
**INSTRUMENTS Ltd**  
China

**DINI ARGEO**  
**OCEANIA**  
Australia



**COMPANY HEADQUARTERS**

Via Della Fisica, 20  
41042 Spezzano di Fiorano Modena • Italy  
Tel. +39.0536 843418

**SERVICE ASSISTANCE**

Via Dell'Elettronica, 15  
41042 Spezzano di Fiorano Modena • Italy  
Tel. +39.0536 921784



*SALES AND TECHNICAL ASSISTANCE SERVICE*