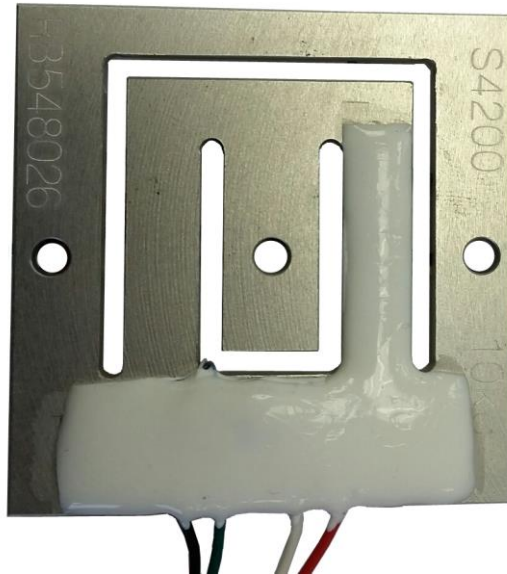


Type S4200 Miniature Sensor



Short description



- Low profile, parallel beam construction
- Anodized aluminum alloy
- IP65 sealed
- Easy installation

Available models

Capacity	Accuracy	Full article description
10kg	0.05%	S4200-10kg-0.4P

Specifications and dimensions are subject to change without notice and do not constitute any liability whatsoever.

Type S4200 Miniature Sensor

Detailed specifications S4200

Accuracy class		0.05%
Output sensitivity (= FS)	mV/V	1.0 ± 0.1
Maximum capacity (E _{max})	kg	10
Combined Error	%FS	≤± 0.05
Minimum dead load	of E _{max}	0%
Safe overload	of E _{max}	150 %
Ultimate overload	of E _{max}	300 %
Zero balance	of FS	< ± 1.0 %
Temperature effect on zero	%FS/10°C	<±0.1
Temperature effect on sensitivity	%FS/10°C	<±0.05
Creep	%FS/5min	<±0.05
Non-Linearity	of FS	<±0.05%
Repeatability	of FS	<±0.05%
Hysteresis	of FS	<±0.05%
Excitation, recommended voltage	V	5 ~ 10
Excitation maximum	V	15
Input resistance	Ω	1065 ± 15
Output resistance	Ω	1000 ± 10
Insulation resistance	MΩ	≥2000 (at 50VDC)
Compensated temperature	°C	-10 ~+40
Operating temperature	°C	-10 ~ +50
Storage temperature	°C	-20 ~ +65
Element material		Aluminium
Ingress Protection (acc. to EN 60529)		IP65

Wiring

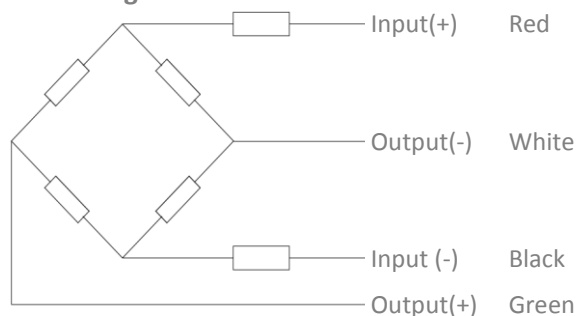
Wiring:

4 conductor flat ribbon cable.

Cable diameter: Ø0.9mm.

Standard cable length: 0.4m

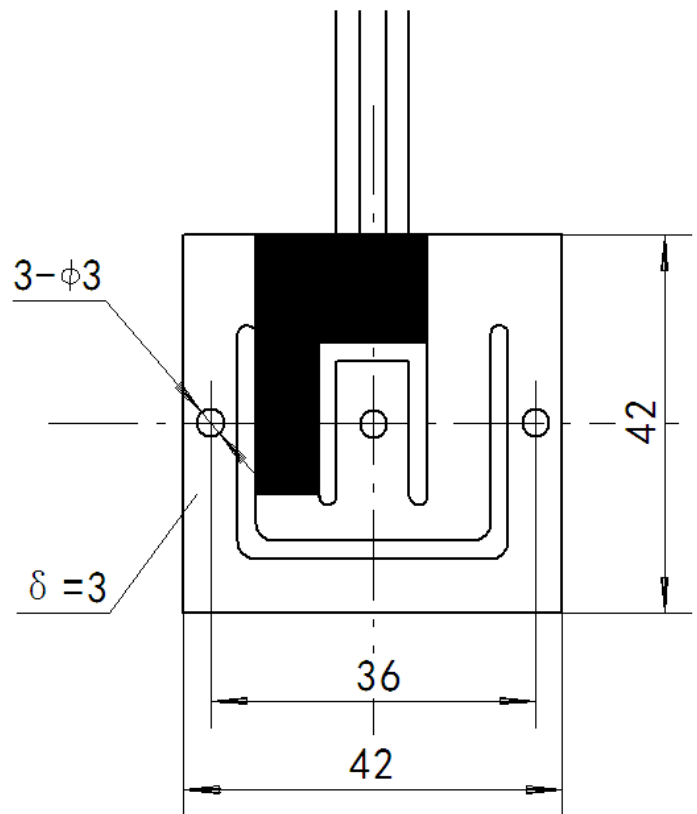
4-wire diagram



Specifications and dimensions are subject to change without notice and do not constitute any liability whatsoever.

Type S4200 Miniature Sensor

Dimensions in mm



Specifications and dimensions are subject to change without notice and do not constitute any liability whatsoever.