

# Type Q84 Miniature Sensor



## Short description



- Aluminium bending miniature sensor
- High accuracy
- Used for handable scales

## Available models

Capacity	Accuracy	Full article description
20g	0.05%	Q84*5*12-05-20g
30g	0.05%	Q84*5*12-05-30g
50g	0.05%	Q84*5*12-05-50g
100g	0.05%	Q84*5*12-05-100g

Specifications and dimensions are subject to change without notice and do not constitute any liability whatsoever.

# Type Q84 Miniature Sensor

## Detailed specifications Q84

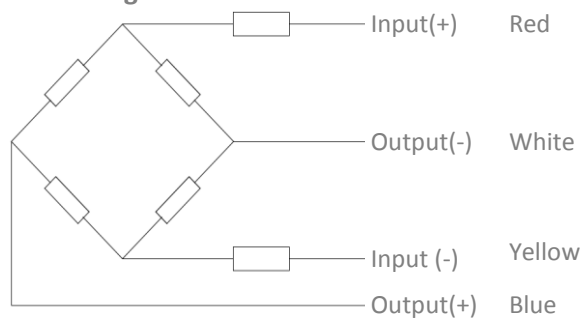
Accuracy class	of FS	0.05%
Output sensitivity ( = FS )	mV/V	0.5±0.15
Maximum capacity ( E <sub>max</sub> )	g	20, 30, 50, 100
Temperature effect on zero	%FS/10°C	±2.0
Temperature effect on Sensitivity	%FS/10°C	±0.05
Minimum dead load	of E <sub>max</sub>	0%
Safe overload	of E <sub>max</sub>	150 %
Ultimate overload	of E <sub>max</sub>	300%
Zero output	mV/V	≤ ± 0.5
Excitation, recommended voltage	V	2 ~ 5
Excitation maximum	V	6
Input resistance	Ω	1055 ± 10
Output resistance	Ω	1000 ± 10
Insulation resistance	MΩ	≥2000 ( at 50VDC )
Compensated temperature	°C	-10 ~+40
Operating temperature	°C	-10 ~ +40
Storage temperature	°C	-20 ~ +65
Element material		Aluminium
Creep	%FS/3 min	±0.05
Non-linearity	%FS	±0.05
Repeatability	%FS	±0.05
Hysteresis	%FS	±0.05

## Wiring

### Wiring:

4 separate conductor cables.  
Standard cables length: 0.25m.

### 4-wire diagram

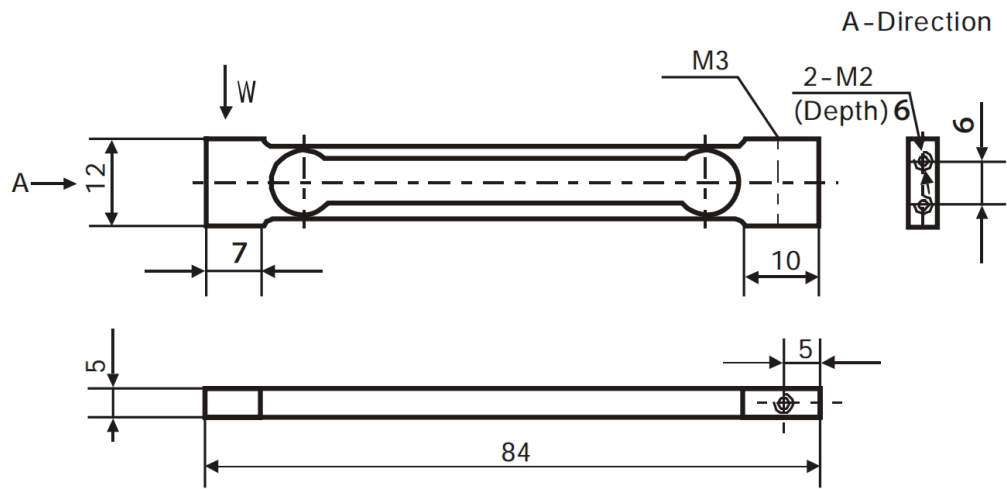


Specifications and dimensions are subject to change without notice and do not constitute any liability whatsoever.

# Type Q84 Miniature Sensor

Dimensions in mm

---



Specifications and dimensions are subject to change without notice and do not constitute any liability whatsoever.