

Type Q70 Miniature Sensor



Short description



- Aluminium bending miniature sensor
- High accuracy
- Used for handable scales

Available models

Capacity	Accuracy	Full article description
20g	0.05%	Q70*5*9-H-20g
30g	0.05%	Q70*5*9-H-30g
50g	0.05%	Q70*5*9-H-50g
100g	0.05%	Q70*5*9-H-100g
200g	0.05%	Q70*5*9-H-200g

Specifications and dimensions are subject to change without notice and do not constitute any liability whatsoever.

Type Q70 Miniature Sensor

Detailed specifications Q70

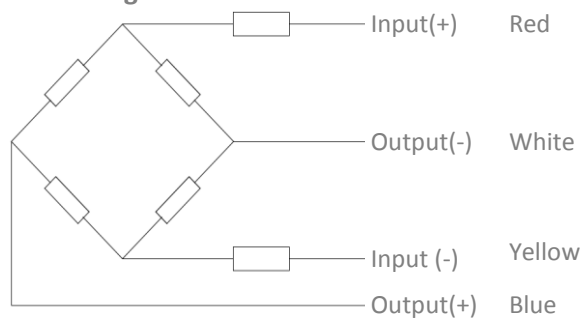
Accuracy class	of FS	0.05%
Output sensitivity (= FS)	mV/V	0.5±0.15
Maximum capacity (E _{max})	g	20, 30, 50, 100, 200
Temperature effect on zero	%FS/10°C	±2.0
Temperature effect on Sensitivity	%FS/10°C	±0.05
Minimum dead load	of E _{max}	0%
Safe overload	of E _{max}	150 %
Ultimate overload	of E _{max}	300%
Zero output	mV/V	≤ ± 0.5
Excitation, recommended voltage	V	2 ~ 5
Excitation maximum	V	6
Input resistance	Ω	1055 ± 10
Output resistance	Ω	1000 ± 10
Insulation resistance	MΩ	≥2000 (at 50VDC)
Compensated temperature	°C	-10 ~+40
Operating temperature	°C	-10 ~ +40
Storage temperature	°C	-20 ~ +65
Element material		Aluminium
Creep	%FS/3 min	±0.05
Non-linearity	%FS	±0.05
Repeatability	%FS	±0.05
Hysteresis	%FS	±0.05

Wiring

Wiring:

4 separate conductor cables.
Standard cables length: 0.25m.

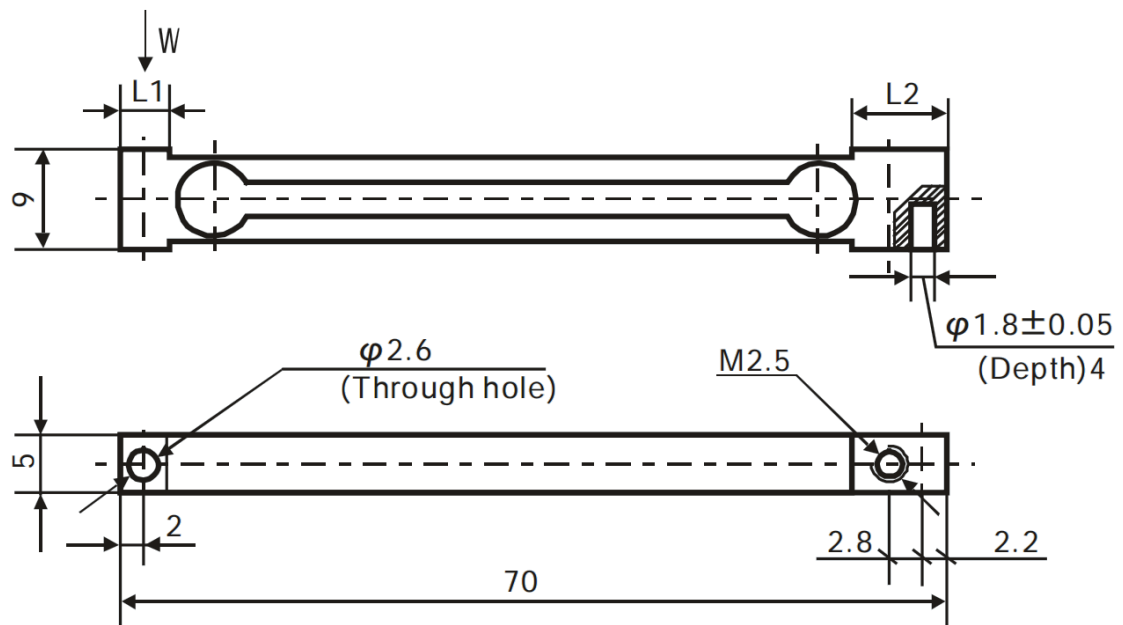
4-wire diagram



Specifications and dimensions are subject to change without notice and do not constitute any liability whatsoever.

Type Q70 Miniature Sensor

Dimensions in mm



Dimension Capacity	L1	L2
20g, 30g, 50g, 100g	4	8
200g	8	10

Specifications and dimensions are subject to change without notice and do not constitute any liability whatsoever.