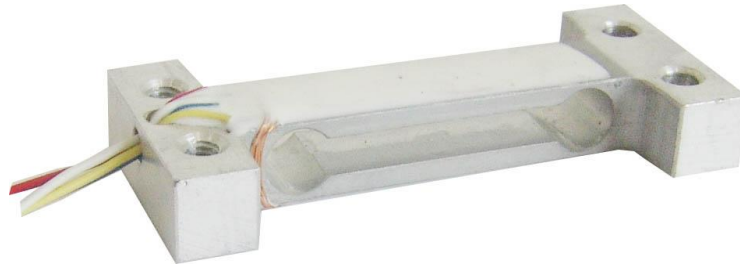


# Type Q47 Miniature Sensor



## Short description



- Aluminium bending miniature sensor
- High accuracy
- Used for handable scales

## Available models

Capacity	Accuracy	Full article description
100g	0.05%	Q47-20*6.6-100g
120g	0.05%	Q47-20*6.6-120g
300g	0.05%	Q47-20*6.6-300g
500g	0.05%	Q47-20*6.6-500g
1000g	0.05%	Q47-20*6.6-1000g

Specifications and dimensions are subject to change without notice and do not constitute any liability whatsoever.

# Type Q47 Miniature Sensor

## Detailed specifications Q47

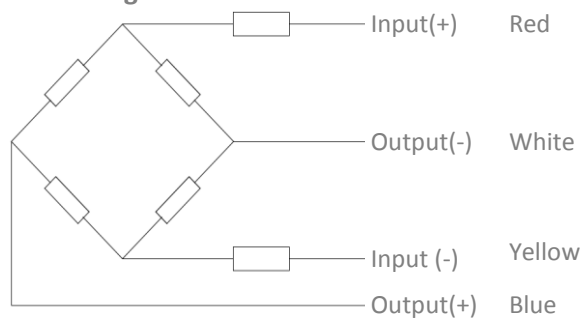
Accuracy class	of FS	0.05%	
Output sensitivity ( = FS )	mV/V	0.6±0.12	0.9±0.18
Maximum capacity ( E <sub>max</sub> )	g	100, 120	300, 500, 1000
Temperature effect on zero	%FS/10°C	±2.0	
Temperature effect on Sensitivity	%FS/10°C	±0.05	
Minimum dead load	of E <sub>max</sub>	0%	
Safe overload	of E <sub>max</sub>	150 %	
Ultimate overload	of E <sub>max</sub>	300%	
Zero output	mV/V	≤ ± 0.5	
Excitation, recommended voltage	V	2 ~ 5	
Excitation maximum	V	6	
Input resistance	Ω	1055 ± 10	
Output resistance	Ω	1000 ± 10	
Insulation resistance	MΩ	≥2000 ( at 50VDC )	
Compensated temperature	°C	-10 ~+40	
Operating temperature	°C	-10 ~ +40	
Storage temperature	°C	-20 ~ +65	
Element material		Aluminium	
Creep	%FS/3 min	±0.05	
Non-linearity	%FS	±0.05	
Repeatability	%FS	±0.05	
Hysteresis	%FS	±0.05	

## Wiring

### Wiring:

4 separate conductor cables.  
Standard cables length: 0.25m.

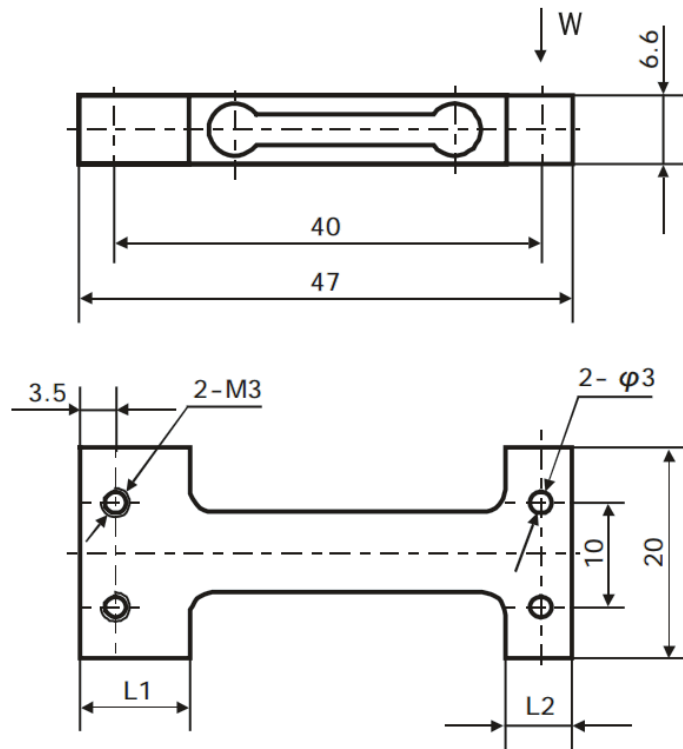
### 4-wire diagram



Specifications and dimensions are subject to change without notice and do not constitute any liability whatsoever.

# Type Q47 Miniature Sensor

Dimensions in mm



Dimension Capacity	L1	L2
100g, 120g	10.5	6.5
300g – 1000g	6.5	6.5

Specifications and dimensions are subject to change without notice and do not constitute any liability whatsoever.