



Short Description



- Aluminium bending miniature sensor
- High accuracy
- Used for small kitchen scales

Available Models

| Capacity | Accuracy | Full Article Description |
|----------|----------|--------------------------|
| 300g | 0.05% | Q47-20*6.6-300g |
| 500g | 0.05% | Q47-20*6.6-500g |
| 1000g | 0.05% | Q47-20*6.6-1000g |

Technical Specifications Q47

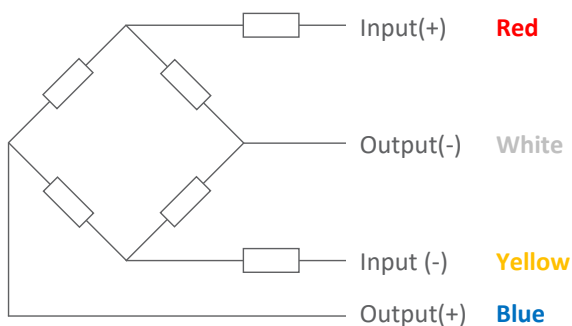
| | | |
|---|----------|----------------|
| Accuracy Class | | 0.05% |
| Output Sensitivity (= FS) | mV/V | 0.9 ± 0.18 |
| Maximum Capacity (E _{max}) | g | 300, 500, 1000 |
| Combined Error | %FS | ≤± 0.05 |
| Creep Error (3 minutes) | %FS | ≤± 0.05 |
| Non-Linearity | %FS | ±0.05 |
| Repeatability | %FS | ±0.05 |
| Hysteresis | %FS | ±0.05 |
| Temperature Effect on Zero (ZTC) | %FS/10°C | ≤± 2.0 |
| Temperature Effect on Sensitivity (STC) | %FS/10°C | ≤± 0.05 |
| Zero Balance | mV/V | ≤± 0.5 |
| Safe Overload | %FS | 120 |
| Ultimate Overload | %FS | 150 |
| Maximum Deflection | mm | 0.10 ~ 0.15 |
| Excitation, Recommended Voltage | V | 2 ~ 5 |
| Excitation, Maximum Voltage | V | 6 |
| Input Resistance | Ω | 1055 ± 10 |
| Output Resistance | Ω | 1000 ± 10 |
| Insulation Resistance (50V) | MΩ | ≥2000 |
| Operating Temperature | °C | -10 ~ + 40 |
| Storage Temperature | °C | -20 ~ + 65 |
| Sensor Weight | g | 20 |
| Element Material | | Aluminium |
| Ingress Protection (acc. to EN 60529) | | IP65 |
| Recommended Torque on Fixation Bolts | Nm | M3: 1.4 |

Wiring

Features:

Cable type: 4-conductor dispersion cable , conductor AWG 32
 Cable diameter: Ø 0.8mm (per conductor)
 Cable length: L = 0.25m
 Cable jacket: PVC

4-Wire Connection Diagram

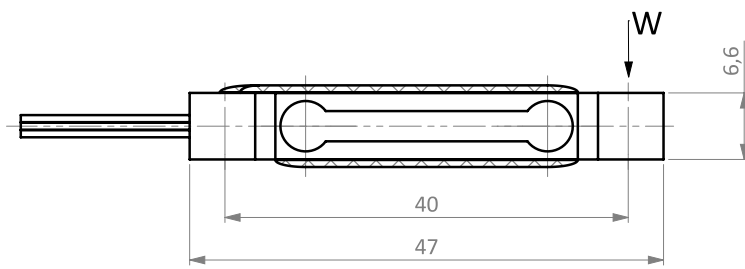


Specifications and dimensions are subject to change without notice and do not constitute any liability whatsoever.

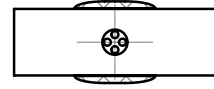
Type Q47 Miniature Sensor

Dimensions in mm

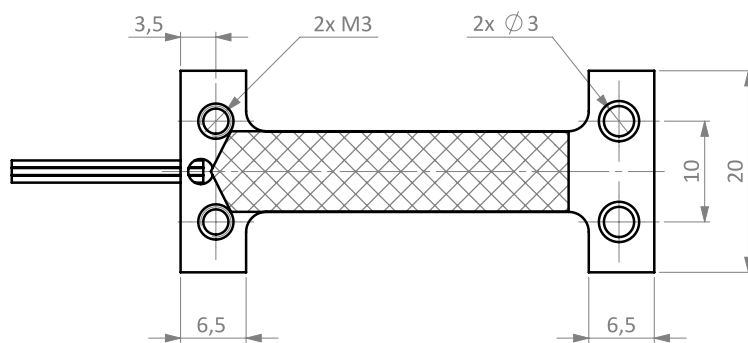
Front View



Side View



Top View



Isometric View

