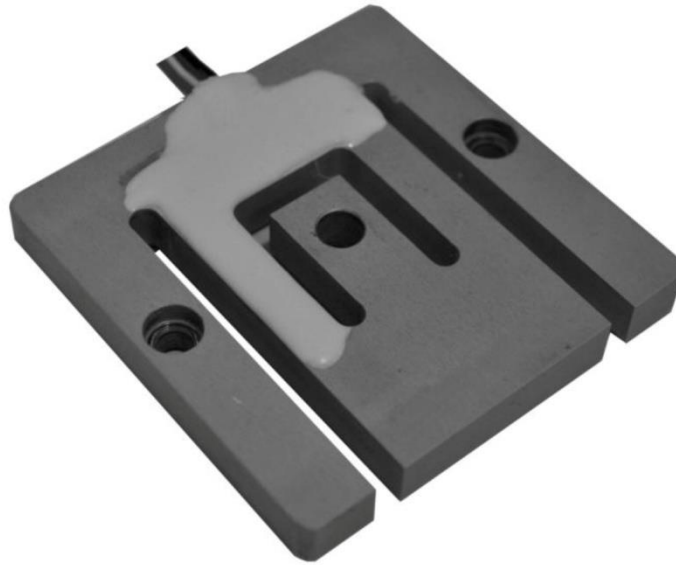


Type L6P Miniature Sensor



Short description



- Low profile, parallel beam construction
- Anodized aluminum alloy
- IP65 sealed
- Easy installation



test certificate no. TC8407 Revision 0
C of C no. R60/2000-NL1-13.22 Revision 1

Available models

Capacity	Accuracy	Full article description
22kg	C3	L6P-C3-22kg-1.5P-R1S
45kg	C3	L6P-C3-45kg-1.5P-R1S
75kg	C3	L6P-C3-75kg-1.5P-R1S
110kg	C3	L6P-C3-110kg-1.5P-R1S

Specifications and dimensions are subject to change without notice and do not constitute any liability whatsoever.

Type L6P Miniature Sensor

Detailed specifications L6P

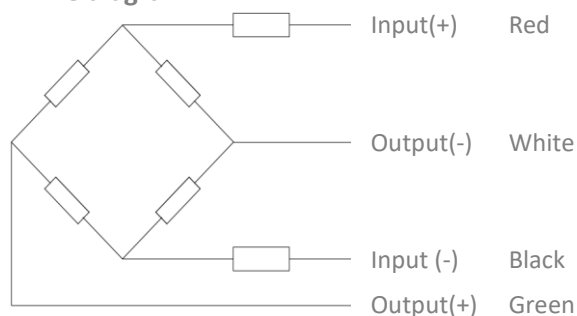
Accuracy class		OIML R60 C3
Output sensitivity (= FS)	mV/V	1.0 ± 0.1
Maximum capacity (E _{max})	kg	22, 45, 75, 110
Max.number of load cell intervals	n _{LC}	3000
Ratio of min. LC verification interval	$Y = E_{max} / V_{min}$	10000
Combined Error	%FS	≤± 0.0230
Minimum dead load	Of E _{max}	0%
Safe overload	of E _{max}	150 %
Ultimate overload	of E _{max}	300 %
Zero balance	of FS	< ± 5.0 %
Excitation, recommended voltage	V	5 ~ 12
Excitation maximum	V	18
Input resistance	Ω	1065 ± 15
Output resistance	Ω	1000 ± 10
Insulation resistance	MΩ	≥5000 (at 50VDC)
Compensated temperature	°C	-10 ~+40
Operating temperature	°C	-35 ~ +70
Storage temperature	°C	-35 ~ +80
Element material		Aluminium
Ingress Protection (acc. to EN 60529)		IP65
Recommended torque on fixation	Nm	M4: 3

Wiring

Wiring:

4 conductor flat ribbon cable.
Cable diameter: Ø1.2mm.
Standard cable length: 1.5m

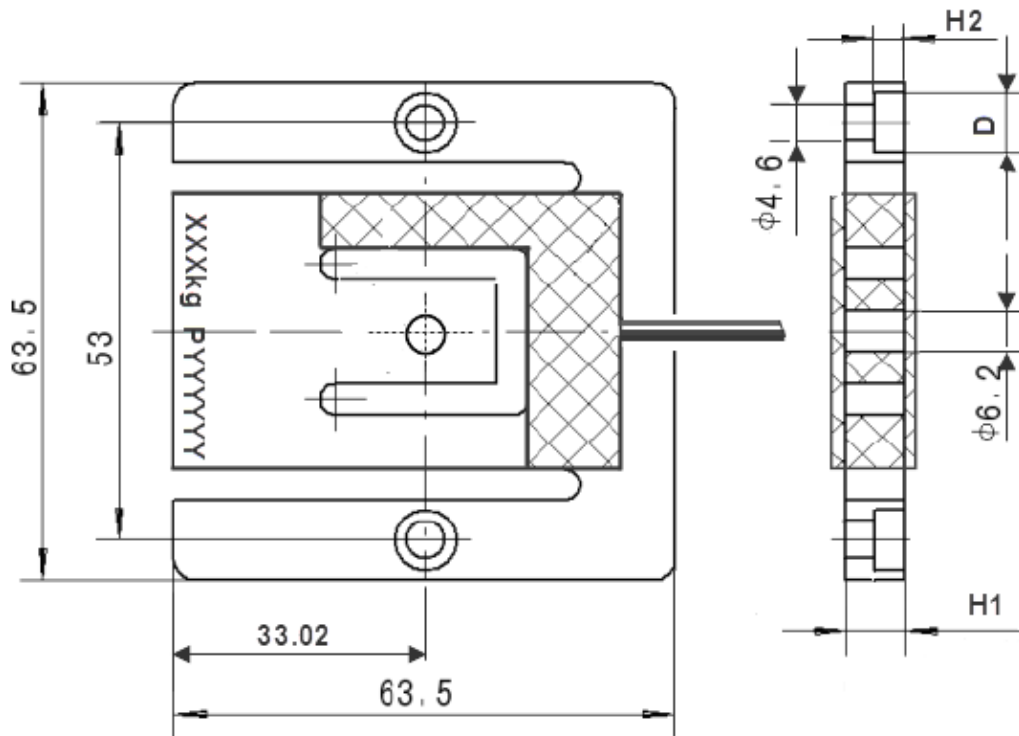
4-wire diagram



Specifications and dimensions are subject to change without notice and do not constitute any liability whatsoever.

Type L6P Miniature Sensor

Dimensions in mm



Dimension Capacity	ϕD	H2	H1
22kg	--	--	3.31
45kg	--	--	4.89
75kg	4.6	--	6.00
110kg	7.4	3.2	7.58

Specifications and dimensions are subject to change without notice and do not constitute any liability whatsoever.