

# Type HM9J Load Cell



## Short description



- Nickel plated alloy steel IP68 dual shear beam load cell  
High reliability
- Suitable for train scales
- Hermetically sealed



Test certificate no. TC8229 Revision 0  
C of C no. R60/2000-NL1-12.47

## Available models

Capacity	Accuracy	Full article description
15t	C2.5	HM9J-C2.5-15t-20F
20t	C2.5	HM9J-C2.5-20t-20F
30t	C2.5	HM9J-C2.5-30t-20F

Specifications and dimensions are subject to change without notice and do not constitute any liability whatsoever.

# Type HM9J Load Cell

## Technical specifications HM9J

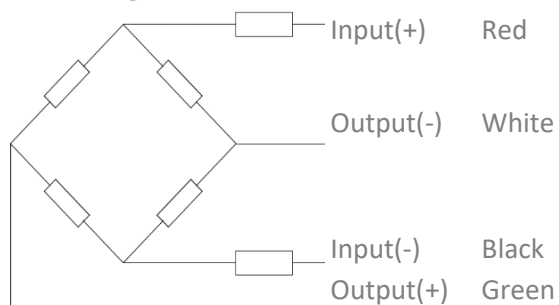
Accuracy class		C2.5
Output sensitivity ( = FS )	mV/V	2.0 ± 0.2
Maximum capacity ( E <sub>max</sub> )	t	15, 20, 30
Max. number of load cell intervals	n <sub>LC</sub>	2500
Ratio of min. LC verification interval	$Y = E_{max} / v_{min}$	5000
Combined Error	%FS	≤± 0.028
Minimum dead load	Of E <sub>max</sub>	0%
Safe overload	of E <sub>max</sub>	120 %
Ultimate overload	of E <sub>max</sub>	150 %
Zero balance	of FS	< ± 1.0 %
Excitation, recommended voltage	V	5 ~ 12
Excitation maximum	V	18
Input resistance	Ω	750 ± 10
Output resistance	Ω	703 ± 4
Insulation resistance	MΩ	≥5000 ( at 50VDC )
Compensated temperature	°C	-10 ~+40
Operating temperature	°C	-35 ~ +70
Storage temperature	°C	-40 ~ +80
Element material		Nickel plated alloy steel
Ingress Protection (acc. to EN 60529)		IP68

## Wiring

### Features:

Shielded, 4 conductor rat-proof cable  
Cable diameter: 5.5 mm  
Standard cable length: 20m  
Shield not connected to element

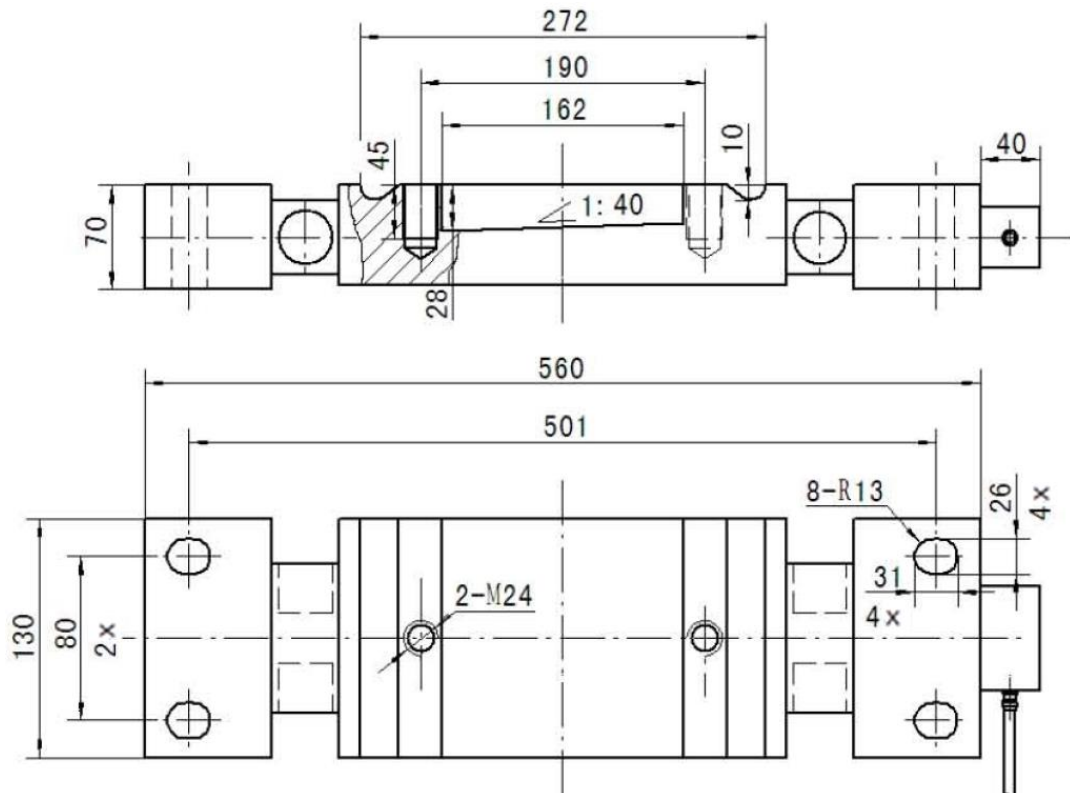
### 4-wire diagram



Specifications and dimensions are subject to change without notice and do not constitute any liability whatsoever.

# Type HM9J Load Cell

Dimensions in mm



Specifications and dimensions are subject to change without notice and do not constitute any liability whatsoever.