



Short description

- Nickel plated alloy steel IP68 dual shear beam load cell
- High accuracy
- Suitable for truck and track scales and other heavy weighing devices
- Hermetically sealed



Test certificate no. TC7810 Revision 0
C of C no R60/2000-NL1-10.15
Certificate no. 10-057A1

Available models

Capacity	Accuracy	Full article description
50Klb	C3	HM9E-C3-50K-12B
65Klb	C3	HM9E-C3-65K-12B
100Klb	C3	HM9E-C3-100K-12B
125Klb	C3	HM9E-C3-125K-12B
200Klb	C3	HM9E-C3-200K-12B

Specifications and dimensions are subject to change without notice and do not constitute any liability whatsoever.

Type HM9E Load Cell

Technical specifications HM9E

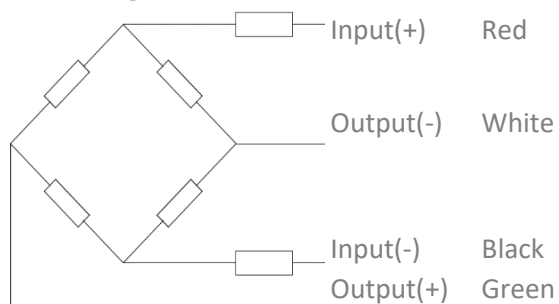
Accuracy class		OIML R60 C3		
Output sensitivity (= FS)	mV/V	3.0 ± 0.003		
Maximum capacity (E _{max})	KIb	50, 65, 100, 125, 200		
Max. number of load cell intervals	n _{LC}	3000		
Ratio of min. LC verification interval	$Y = E_{max} / V_{min}$	10000		
Combined Error	%FS	≤± 0.0230		
Minimum dead load	Of E _{max}	0%		
Safe overload	of E _{max}	150 %		
Ultimate overload	of E _{max}	300 %		
Zero balance	of FS	< ± 1.0 %		
Excitation, recommended voltage	V	5 ~ 12		
Excitation maximum	V	18		
Input resistance	Ω	700 ± 7		
Output resistance	Ω	703 ± 4		
Insulation resistance	MΩ	≥5000 (at 50VDC)		
Compensated temperature	°C	-10 ~ +40		
Operating temperature	°C	-35 ~ +65		
Storage temperature	°C	-40 ~ +80		
Element material		Nickel plated alloy steel		
Ingress Protection (acc. to EN 60529)		IP68		
ATEX classification (optional)		II1G Ex ia II1C T4	II1D Ex iaD 20 T73°C	II3G nL IIC T4

Wiring

Features:

Shielded, 4 conductor cable
Cable diameter: Ø8mm
Standard cable length: 12m
Shield not connected to element

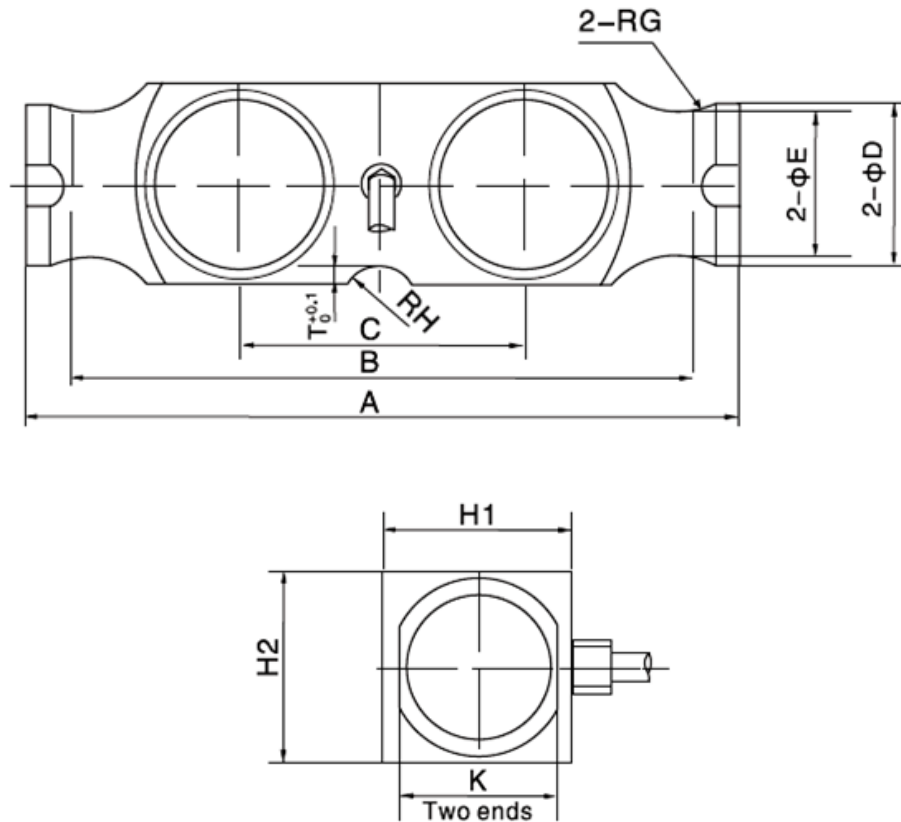
4-wire diagram



Specifications and dimensions are subject to change without notice and do not constitute any liability whatsoever.

Type HM9E Load Cell

Dimensions in mm



Dimension Capacity	A	B	C	$\varnothing D$	$\varnothing E$	RG	RH	T	H1	H2	K
50Klb-125Klb	260.5	215.9	101.6	61	52.32	25.4	25.4	7	76	76.2	55.9
200Klb	304.8	254	111.8	70	59.69	38.1	38.1	10	86.1	86.36	63.5

Specifications and dimensions are subject to change without notice and do not constitute any liability whatsoever.