



Short Description



- Nickel plated alloy steel IP68 dual shear beam load cell
- High accuracy
- Suitable for truck and track scales and other heavy weighing devices
- Hermetically sealed

 Test certificate no. D09-06.46

Available Models

Capacity	Accuracy	Full article description
10Klb	C3	HM9C-C3-10K-9B
20Klb	C3	HM9C-C3-20K-9B
30Klb	C3	HM9C-C3-30K-9B
40Klb	C3	HM9C-C3-40K-9B
50Klb	C3	HM9C-C3-50K-9B
60Klb	C3	HM9C-C3-60K-9B
75Klb	C3	HM9C-C3-75K-9B

Technical Specifications HM9C

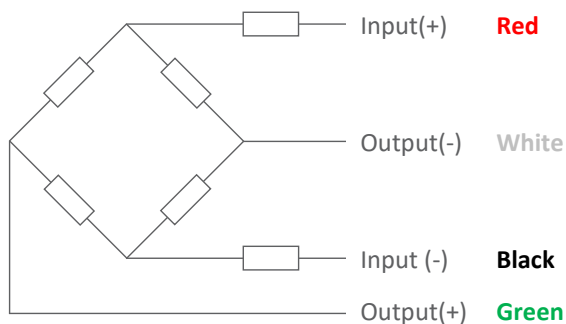
Accuracy Class		OIML R60 C3
Output Sensitivity (= FS)	mV/V	3.0 ± 0.008
Maximum Capacity (E _{max})	Klb	10, 20, 30, 40, 50, 60, 75
Max. Number of Load Cell Intervals	n _{LC}	3000
Ratio of min. LC Verification Interval	$Y = E_{max} / V_{min}$	10000
Combined Error	%FS	≤± 0.020
Creep Error (30 minutes)	%FS	≤± 0.016
Temperature Effect on Zero (ZTC)	%FS/10°C	≤± 0.015
Temperature Effect on Sensitivity (STC)	%FS/10°C	≤± 0.011
Zero Balance	%FS	≤± 1.0
Safe Overload	%FS	150
Ultimate Overload	%FS	300
Excitation, Recommended Voltage	V	5 ~ 12
Excitation, Maximum Voltage	V	18
Input Resistance	Ω	700 ± 7
Output Resistance	Ω	703 ± 4
Insulation Resistance (50V)	MΩ	≥5000
Compensated Temperature	°C	-10 ~ + 40
Operating Temperature	°C	-35 ~ + 65
Storage Temperature	°C	-40 ~ + 80
Load Cell Weight	kg	8.12
Element Material		Nickel plated alloy steel
Ingress Protection (acc. to EN 60529)		IP68
ATEX Classification (optional)		II1G Ex ia II1C T4 II1D Ex iaD 20 T73°C II3G Ex nL IIC T4

Wiring

Features:

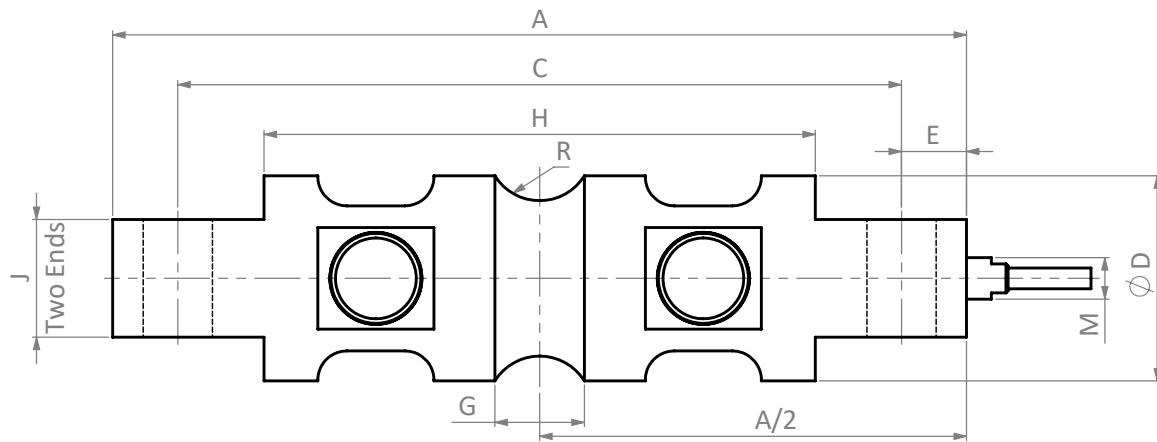
Cable type: Shielded, 4 conductor cable , conductor AWG 21
 Cable diameter: Ø 5mm for 10Klb – 20Klb, Ø 8mm for 30Klb – 75Klb
 Cable length: 9m
 Cable jacket: Polyurethane
 Shield not connected to element

4-Wire Connection Diagram

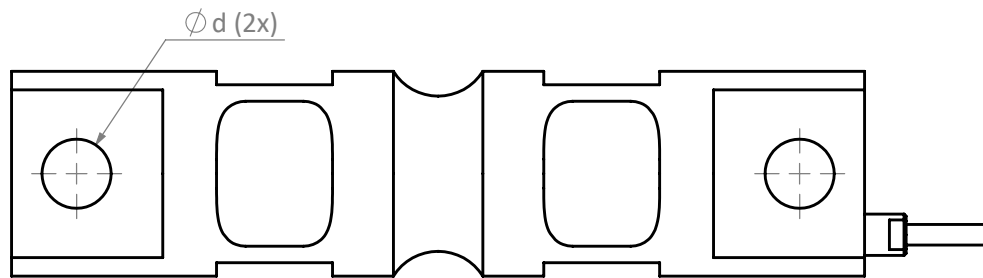


Dimensions in mm

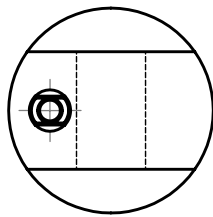
Front View



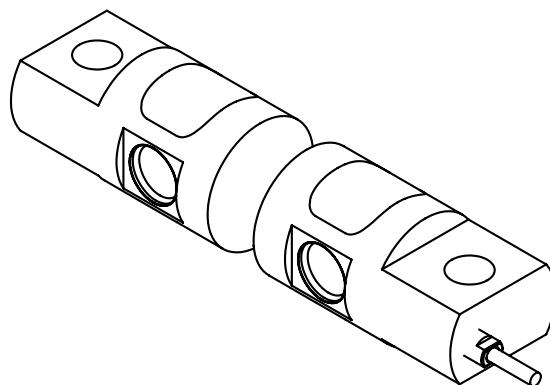
Top View



Side View

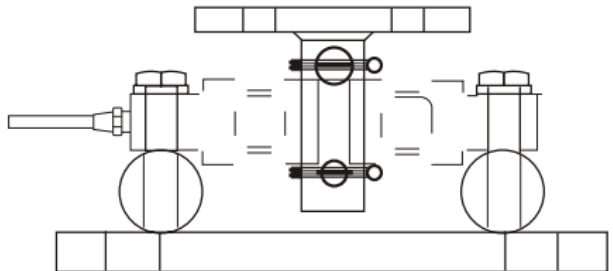
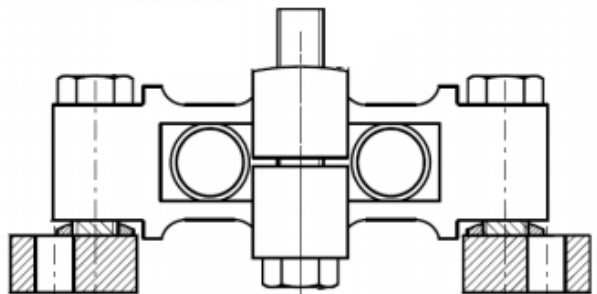


Isometric View



Dimension Capacity	A	C	H	G	ØD	J	Ød	R	E	M
10Klb	206.2	174.6	133.1	15.7	43.2	28.4	16.7	12.7	15.7	3/8-18 UNF-2B
15Klb, 20Klb	206.2	174.6	133.1	21.3	49.5	28.4	16.7	12.7	15.7	3/8-18 UNF-2B
30Klb-75Klb	260.4	215.9	165.1	25.4	76.2	60.2	26.9	25.4	22.4	3/8-18 UNF-2B

Available accessories

<p>HM-9-401-5-250Klb Mount</p> <ul style="list-style-type: none"> • Easy installation • Compact construction • Anti-reversal ability • Alloy steel • Using under heavy static or slight dynamic load 	
<p>HM-9-405-30-75Klb Mount</p> <ul style="list-style-type: none"> • Alloy steel • No horizontal movement 	
<p>HM-9-409-5-20Klb</p> <ul style="list-style-type: none"> • Easy installation • Compact construction • Anti-reversal ability • Alloy steel • Using under heavy static or slight dynamic load 	