

Short description



- Rigid mounting of load cell
- No horizontal movement
- Nickel plated alloy steel
- Can be used with Load Cell models: H9C and HM9C

Available models

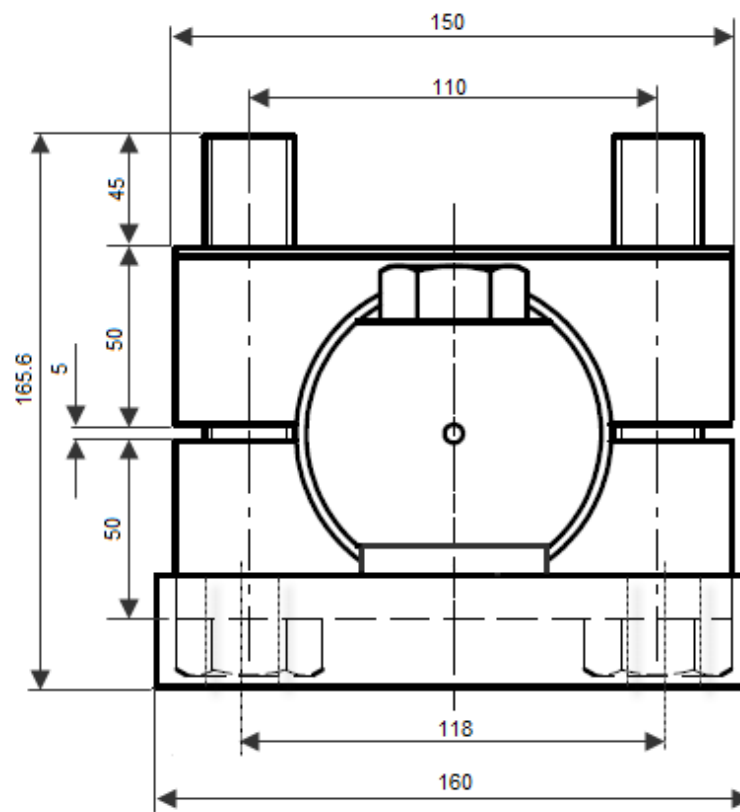
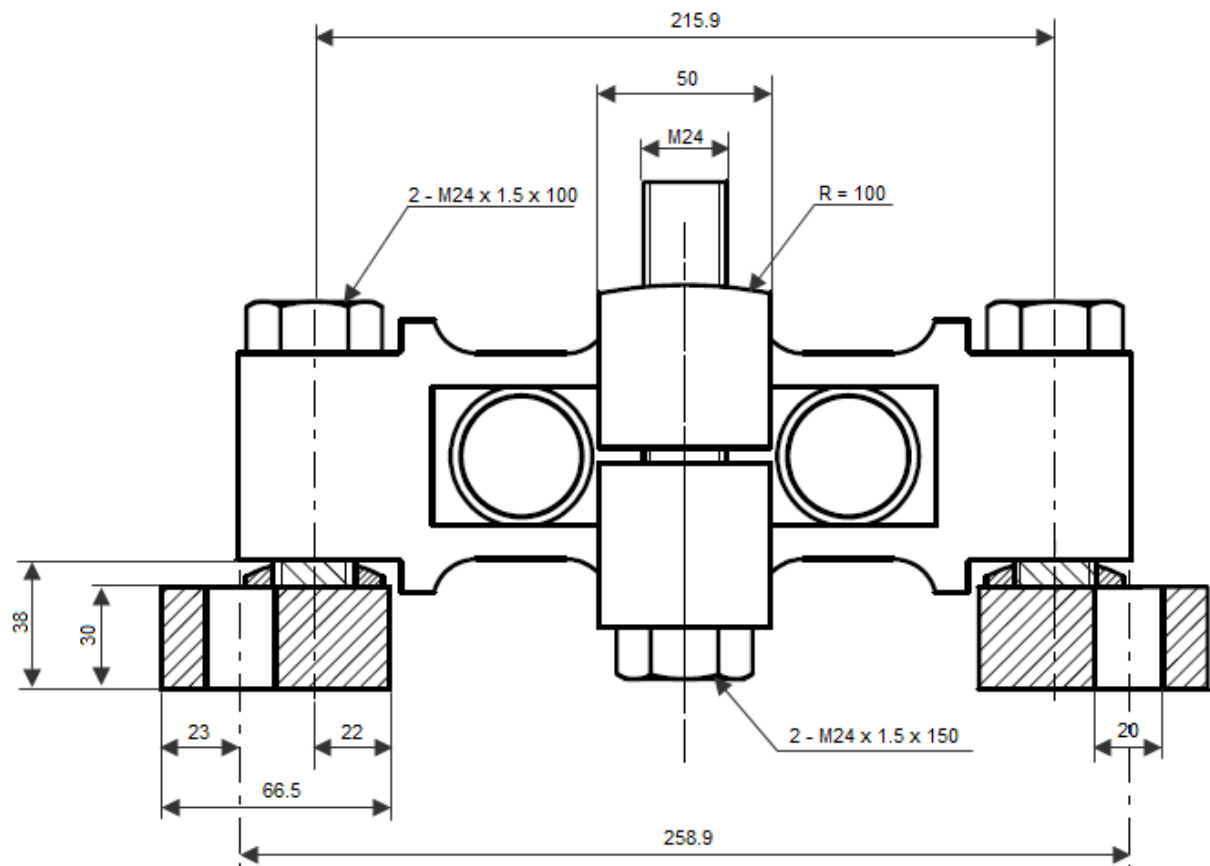
Model	Capacity	Full article description	Part number
HM-9-405	30Klb – 75Klb	HM-9-405-30/75K	2090025

Detailed specifications HM-9-405

Capacity	30Klb – 75Klb
Maximum vertical force (down)	350 kN
Maximum vertical force (up)	35 kN
Maximum horizontal force	20 kN
Maximum horizontal movement	+0 / -0 mm

Specifications and dimensions are subject to change without notice and do not constitute any liability whatsoever.

Dimensions in mm



Specifications and dimensions are subject to change without notice and do not constitute any liability whatsoever.