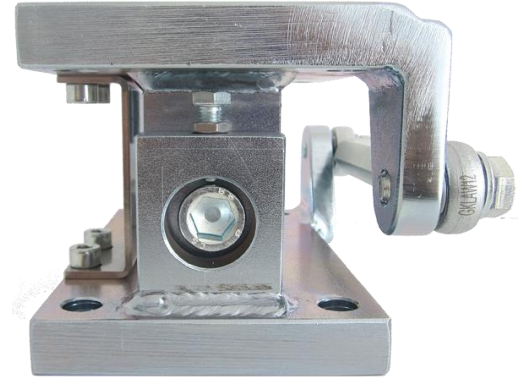
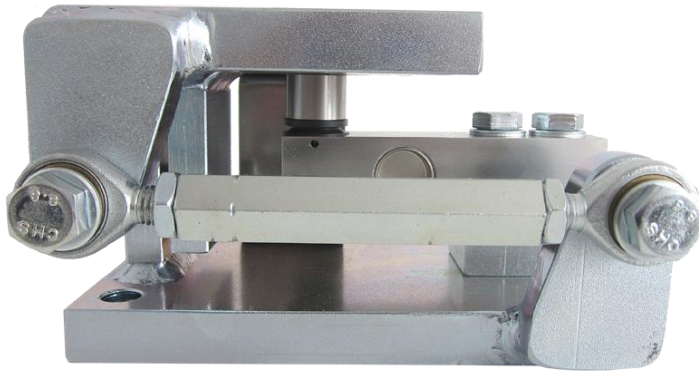


Mounting Set Type HM-8-903



Short description



- Complete mounting set for quick and easy mounting.
- This includes:
a loadcell dummy, transport plate, pressure piece, lift off protection and earthing cable.
- Galvanized alloy steel.
- Mount delivered without a working loadcell and without stay rod.
Those parts need to be ordered separately.
- Can be used with Load Cell models: BM8H

Available models

Model	Capacity	Full article description	Part number
HM-8-903	0.5t – 1t	HM-8-903-0.5/1t	2082056
	1.5t – 2t	HM-8-903-1.5/2t	2082057
	5t	HM-8-903-5t	2082058
	0.1t – 2t	Rod End 0.1/2t Galvanised Steel	2082066
	2.5t – 5t	Rod End 2.5/5t Galvanised Steel	2082067

Technical specifications HM-8-903

Capacity with load cell	0.5t – 2t	5t
Maximum vertical force (down) with dummy load cell	15 kN	30 kN
Maximum vertical force (up)	15 kN	30 kN
Maximum horizontal force (with stay rod installed)	20 kN	40 kN
Maximum horizontal movement (without stay rod)	+1.5 / -1.5 mm	

Notes:

- When horizontal forces are expected in use, we highly recommend installing the stay rod.
- Front View drawings show U-shaped transport plate installed. Please refer to installation manual.

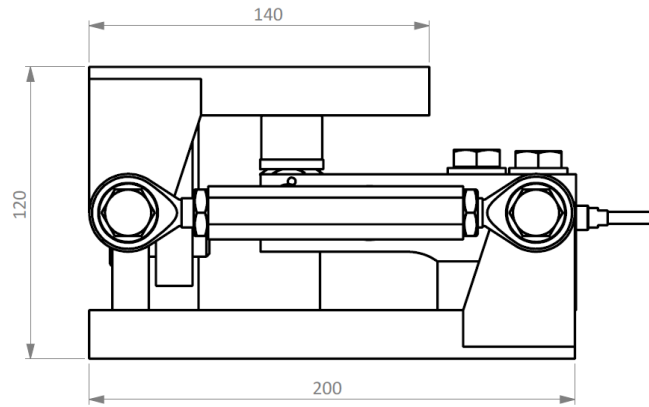
Specifications and dimensions are subject to change without notice and do not constitute any liability whatsoever.

Mounting Set Type HM-8-903

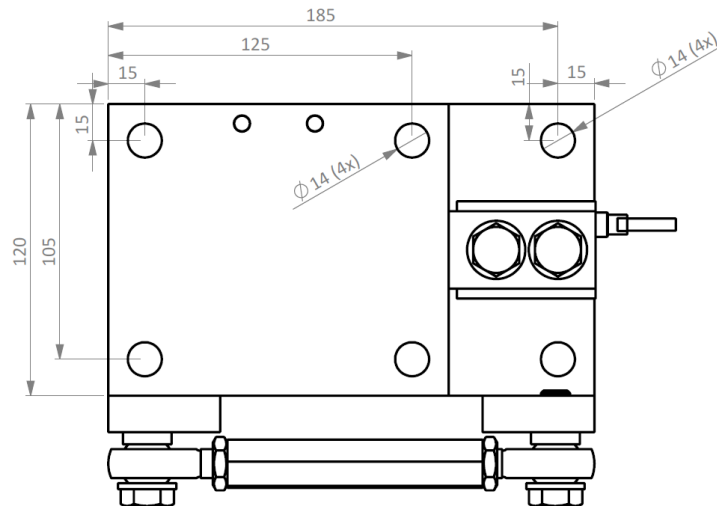
Dimensions in mm

0.5t – 2t

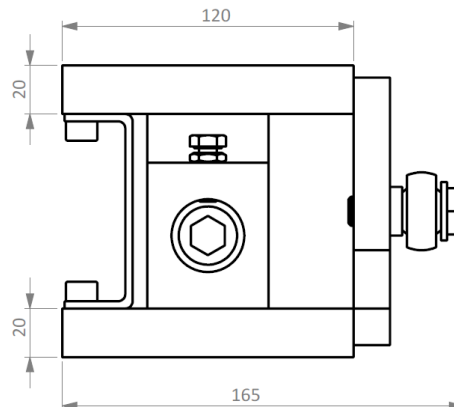
Side View



Top View



Front View

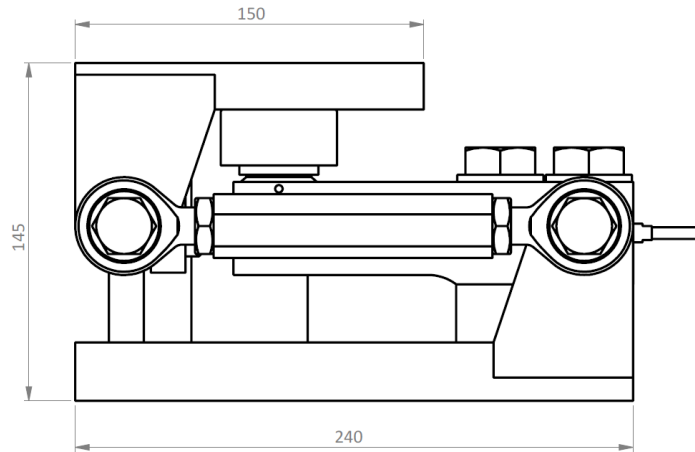


Specifications and dimensions are subject to change without notice and do not constitute any liability whatsoever.

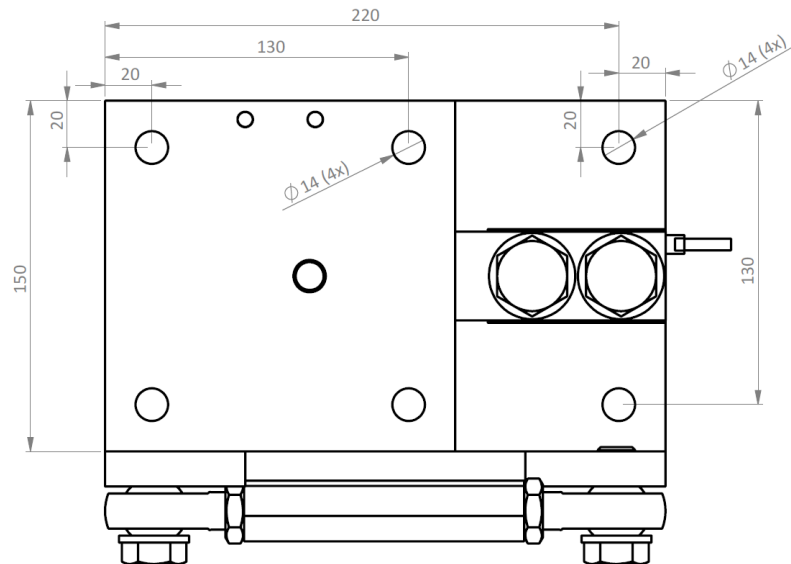
Mounting Set Type HM-8-903

5t

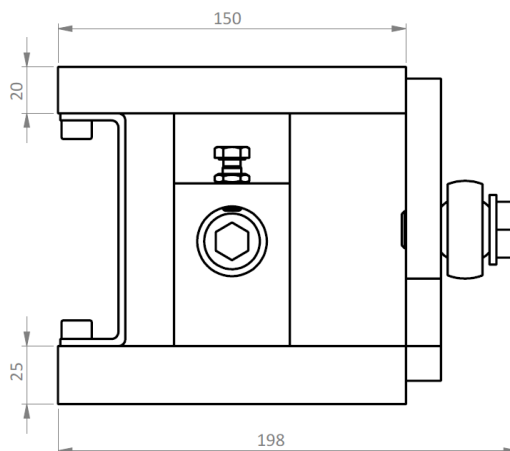
Side View



Top View



Front View



Specifications and dimensions are subject to change without notice and do not constitute any liability whatsoever.