

Mounting set type HM-8-901



Short description



- Complete mounting set for quick and easy mounting.
- This includes:
a loadcell dummy, transport plate, lift off protection and an earthing cable.
- Galvanized alloy steel.
- Mount delivered without a working loadcell and without stay rod.
Those parts need to be ordered separately.
- Can be used with Load Cell models: H8C

Available models

| Model | Capacity | Full article description | Part number |
|----------|-----------|-----------------------------|-------------|
| HM-8-901 | 0.1t – 2t | HM-8-901-0.1t-2t | 2082051 |
| | 2.5t – 5t | HM-8-901-2.5t-5t | 2082052 |
| | 0.1t – 2t | Rod End 0.1t-2t galv. Steel | 2082066 |
| | 2.5t – 5t | Rod End 2.5t-5t galv. Steel | 2082067 |

Technical specifications HM-8-901

| | | |
|--|----------------|-----------|
| Capacity with load cell | 0.1t – 2t | 2.5t – 5t |
| Maximum vertical force (down) with dummy loadcell | 15 kN | 30 kN |
| Maximum vertical force (up) | 15 kN | 30 kN |
| Maximum horizontal force (with stay rod installed) | 20 kN | 40 kN |
| Maximum horizontal movement (without stay rod) | +1.5 / -1.5 mm | |

Notes:

-When horizontal forces are expected in use, we recommend installing the stay rod.

-Front View drawings show U-shaped transport plate installed. Please refer to installation manual.

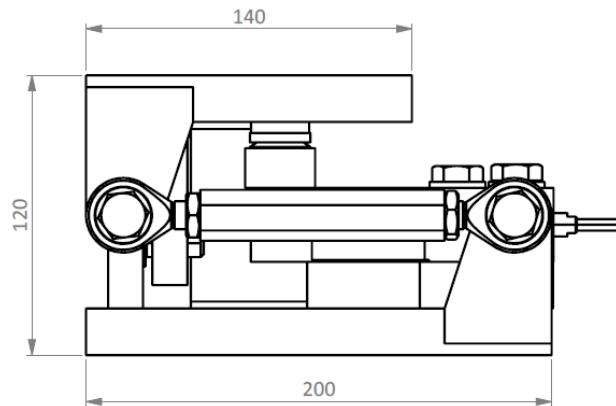
Specifications and dimensions are subject to change without notice and do not constitute any liability whatsoever.

Mounting set type HM-8-901

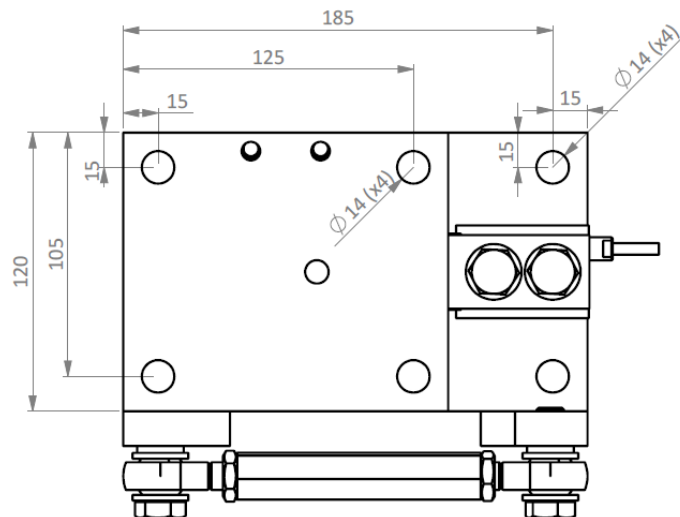
Dimensions in mm

0.1t – 2t

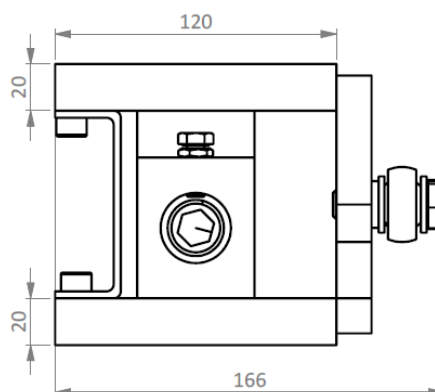
Side View



Top View



Front View

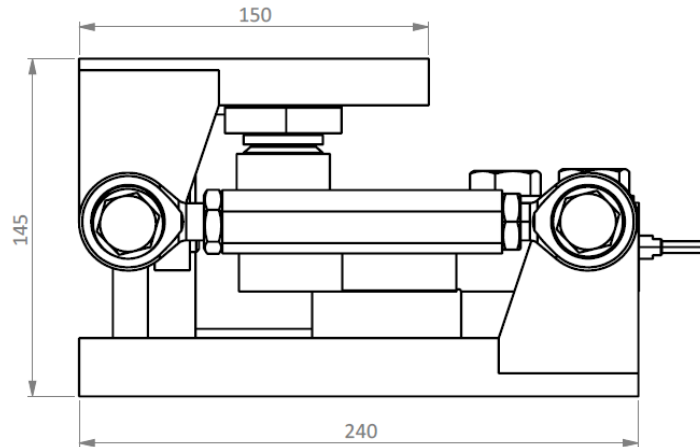


Specifications and dimensions are subject to change without notice and do not constitute any liability whatsoever.

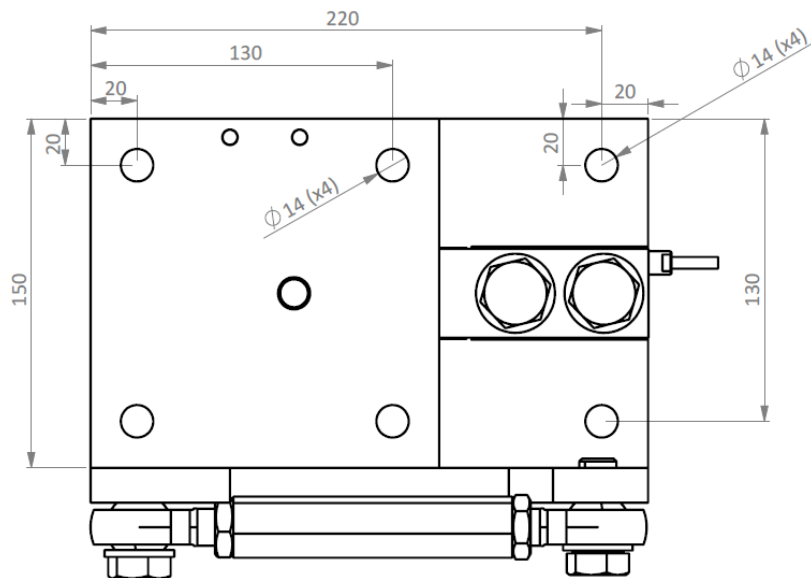
Mounting set type HM-8-901

2.5t – 5t

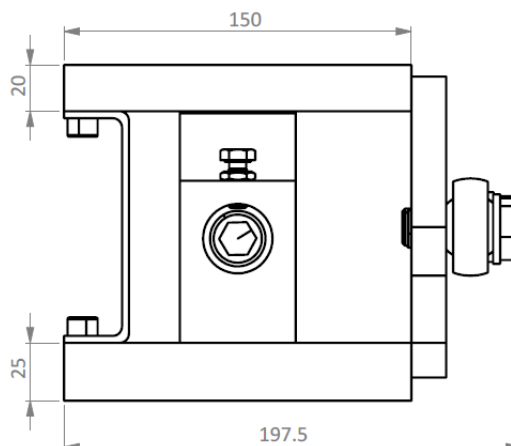
Side View



Top View



Front View



Specifications and dimensions are subject to change without notice and do not constitute any liability whatsoever.