



Short description



- Easy installation
- Alloy steel
- Can be used with S-type load cell models

Available models

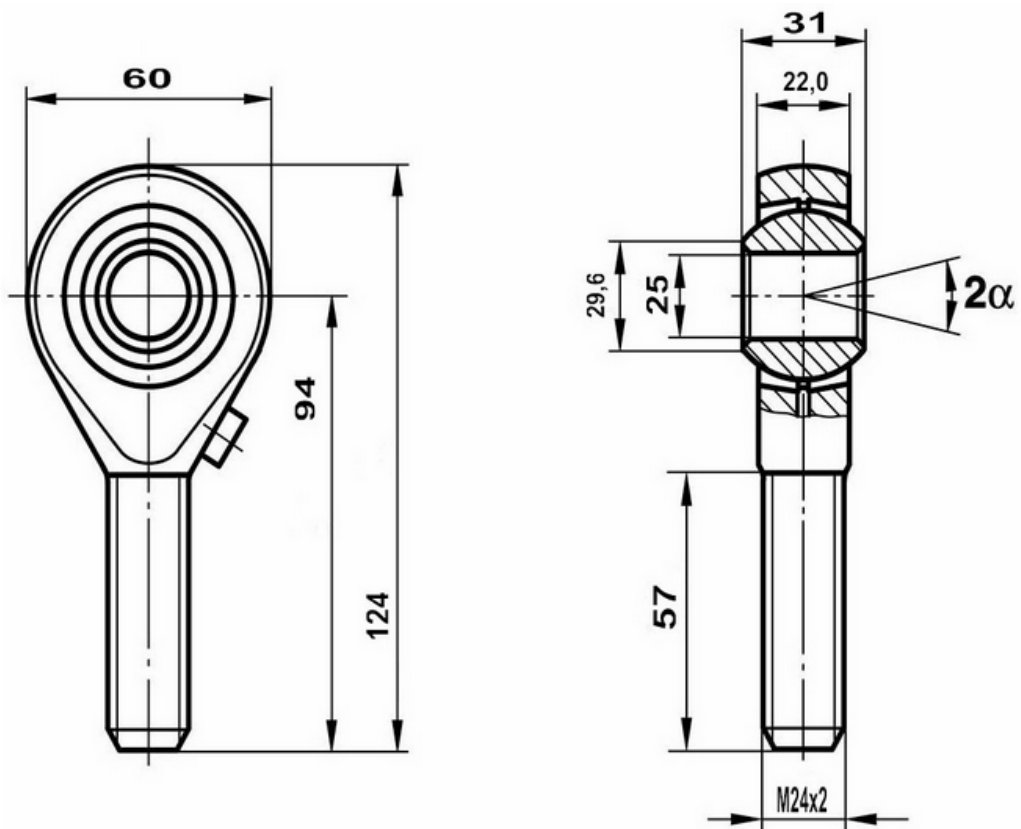
Model	Capacity	Full article description	Part number
HL-3-007	5t	HL-3-007-5t-LM	2030161

Technical specifications HL-3-007

Capacity	5t
Static lifting weight	6.9t
Dynamic lifting weight	3.5t
Limited speed (rev/min)	230

Specifications and dimensions are subject to change without notice and do not constitute any liability whatsoever.

Dimensions in mm



Specifications and dimensions are subject to change without notice and do not constitute any liability whatsoever.