



## Short description



- Easy installation
- Alloy steel
- Can be used with load cell models: H3, H3F, B3G and BM3

## Available models

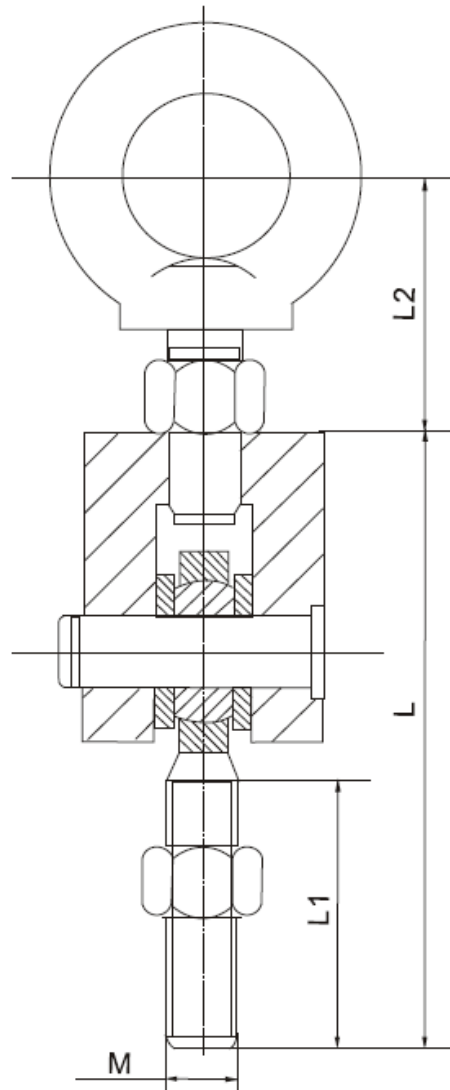
Model	Capacity	Full article description	Part number
HL-3-005	25kg-50kg	HL-3-005-25/50kg	2030305
HL-3-005	100kg-150kg	HL-3-005-100/150kg	2030310
HL-3-005	200kg-300kg	HL-3-005-200/300kg	2030355
HL-3-005	500kg-750kg	HL-3-005-500/750kg	-
HL-3-005	1t	HL-3-005-1t	-
HL-3-005	1.5t	HL-3-005-1.5t	2030345
HL-3-005	2t-3t	HL-3-005-2/3t	2030357
HL-3-005	5t	HL-3-005-5t	2030360

## Technical specifications HL-3-005

Capacity	25-50kg	100-150kg	200-300kg	500-750kg	1t	1.5t	2t-3t	5t
Static lifting weight	0.16t	0.25t	0.4t	1.0t	1.08t	1.6t	3.0t	6.0t

Specifications and dimensions are subject to change without notice and do not constitute any liability whatsoever.

## Dimensions in mm



Dimension type	Capacity	L	L1	L2	M x P
HL-3-005	25-50kg	77	21	22	M8 x 1.25
HL-3-005	100-150kg	83	26	27	M10 x 1.5
HL-3-005	200kg-300kg	89	28	33	M12 x 1.75
HL-3-005	500kg-750kg	89	28	38	M12 x 1.75
HL-3-005	1t	89	28	43	M12 x 1.75
HL-3-005	1.5t	118	28	42	M12 x 1.75
HL-3-005	2t-3t	133	43	63	M20 x 1.5
HL-3-005	5t	149	43	78	M20 x 1.5

Specifications and dimensions are subject to change without notice and do not constitute any liability whatsoever.