



Short description



- Easy installation
- Alloy steel
- Can be used with load cell models: H3, H3F, H3G, B3G and BM3

Available models

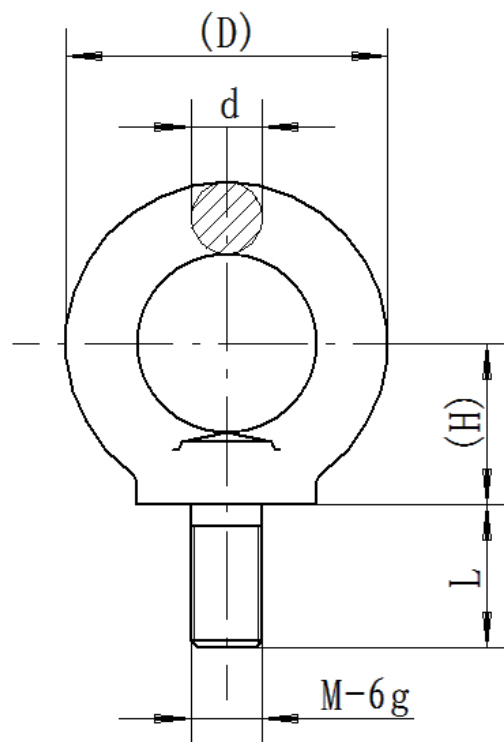
Model	Capacity	Full article description	Part number
HL-3-002	25kg-50kg	HL-3-002-25/50kg-LM	2030048
HL-3-002	100kg-150kg	HL-3-002-100/150kg-LM	2030050
HL-3-002	200kg-300kg	HL-3-002-200/300kg-LM	2030051
HL-3-002	500kg-750kg	HL-3-002-500/750kg-LM	2030040
HL-3-002	1t-1.5t	HL-3-002-1/1.5t-LM	2030041
HL-3-002	2t-3t	HL-3-002-2/3t-LM	2030042
HL-3-002	5t	HL-3-002-5t-LM	2030043

Technical specifications HL-3-002

Capacity	25-50kg	100-150kg	200-300kg	500-750kg	1-1.5t	2-3t	5t
Static lifting weight	0.16t	0.25t	0.4t	1.0t	1.6t	4.0t	6.3t

Specifications and dimensions are subject to change without notice and do not constitute any liability whatsoever.

Dimensions in mm



Dimension type	Capacity	D	d	H	Ø Hole	M x P x L
HL-3-002	25-50kg	36	9.1	18	17.8	M8 x 1.25 x 16
HL-3-002	100-150kg	44	11.1	22	21.8	M10 x 1.5 x 16
HL-3-002	200-300kg	52	13.1	26	25.8	M12 x 1.75 x 16
HL-3-002	500-750kg	62	15.2	31	31.6	M12 x 1.75 x 22
HL-3-002	1t-1.5t	72	17.4	36	37.2	M12 x 1.75 x 22
HL-3-002	2t-3t	104	25.7	53	52.6	M20 x 1.5 x 32
HL-3-002	5t	123	30	63	63	M20 x 1.5 x 35

Specifications and dimensions are subject to change without notice and do not constitute any liability whatsoever.