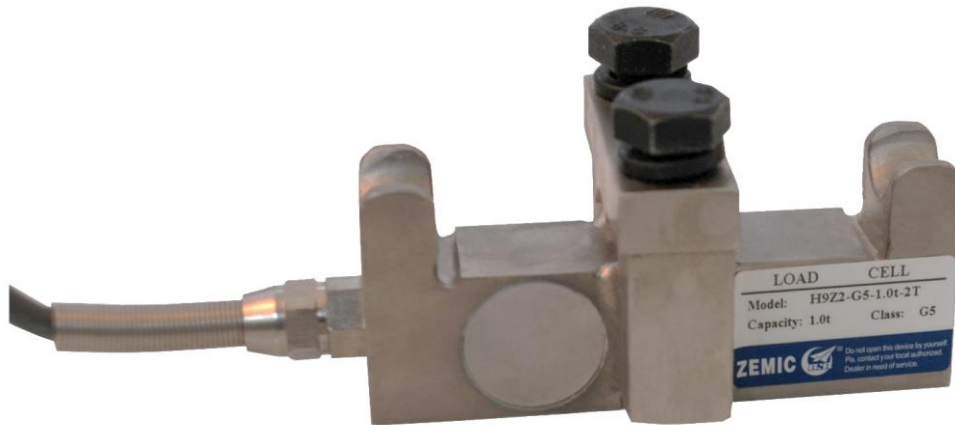


# Type H9Z2 Load Cell



## Short description



- Nickel plated alloy steel IP67 shear beam load cell
- Used on the hoist cable to monitor the weight lifted
- Suitable for measuring rope extension force

## Available models

Capacity	Accuracy	Full article description
0.5t	G5	H9Z2-G5-0.5t-2T
1t	G5	H9Z2-G5-1t-2T
1.5t	G5	H9Z2-G5-1.5t-2T
2.5t	G5	H9Z2-G5-2.5t-2T
5t	G5	H9Z2-G5-5t-2T
10t	G5	H9Z2-G5-10t-2T

Specifications and dimensions are subject to change without notice and do not constitute any liability whatsoever.

## Technical specifications H9Z2

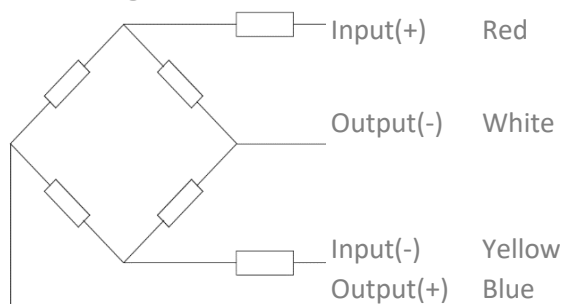
Accuracy class		G5		
Output sensitivity ( = FS )	mV/V	0.57 ± 0.02	0.8 ± 0.02	1.0 ± 0.02
Maximum capacity ( E <sub>max</sub> )	t	0.5	1, 1.5, 2, 2.5, 5	10
Combined Error	%FS	≤± 0.5		
Temperature effect on zero	%FS/10°C	≤± 0.1		
Temperature effect on sensitivity	%FS/10°C	≤± 0.05		
Minimum dead load	Of E <sub>max</sub>	0%		
Safe overload	of E <sub>max</sub>	150 %		
Ultimate overload	of E <sub>max</sub>	200 %		
Zero balance	of FS	< ± 2.0 %		
Excitation, recommended voltage	V	5 ~ 12		
Excitation maximum	V	18		
Input resistance	Ω	370 ± 10		
Output resistance	Ω	350 ± 3.5		
Insulation resistance	MΩ	≥5000 ( at 50VDC )		
Compensated temperature	°C	-10 ~+40		
Operating temperature	°C	-35 ~ +65		
Storage temperature	°C	-40 ~ +80		
Element material		Nickel plated alloy steel		
Ingress Protection (acc. to EN 60529)		IP67		
ATEX classification (optional)		II3D Ex tc IIIC T73°C Dc	II3G nA IIC T4 Gc	

## Wiring

### Features:

- Shielded, 4 conductor cable
- Cable diameter: 5mm
- Standard cable length: 2m
- Shield not connected to element

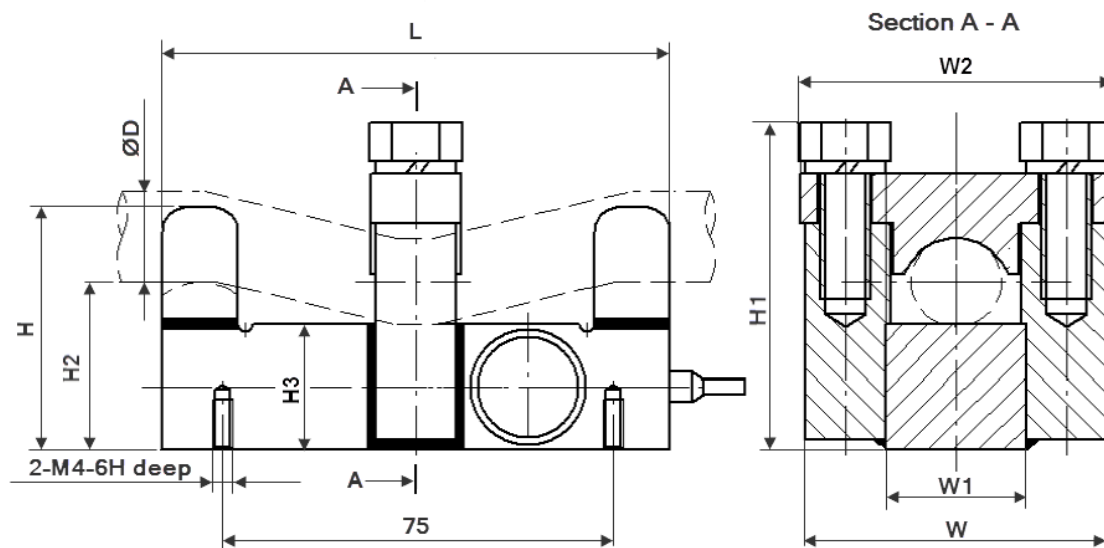
### 4-wire diagram



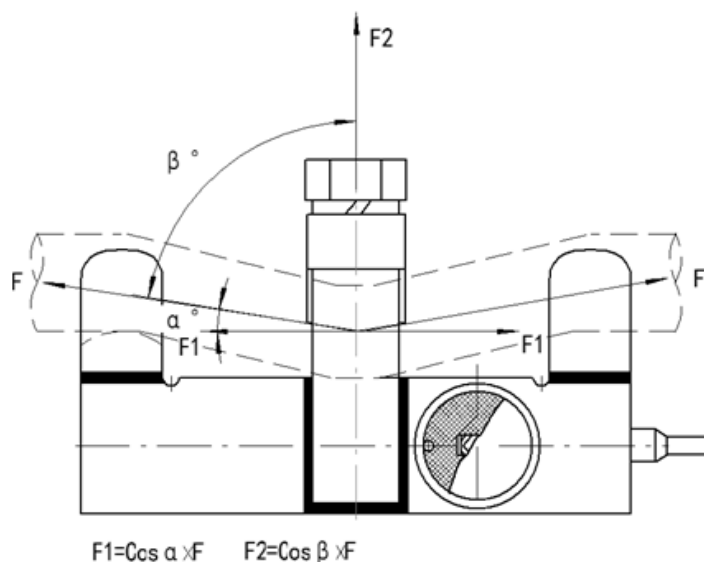
Specifications and dimensions are subject to change without notice and do not constitute any liability whatsoever.

# Type H9Z2 Load Cell

Dimensions in mm



Dimension Capacity	L	W	W1	W2	H	H1	H2	H3	ØD
0.5t	95	50	20	52	40	52	33.3	25	7 – 10
1t	95	50	20	52	40	54.8	33.3	25	11 – 13
1.5t	95	52	22	54	43	58.4	32.8	25	13 – 15
2.5t	95	52	22	54	43	60	32.8	25	15 – 17
5t	101	58	28	60	48.5	66	33.5	25	18 – 20
10t	130	64	34	66	55	74	38.5	30	20 – 22



Specifications and dimensions are subject to change without notice and do not constitute any liability whatsoever.