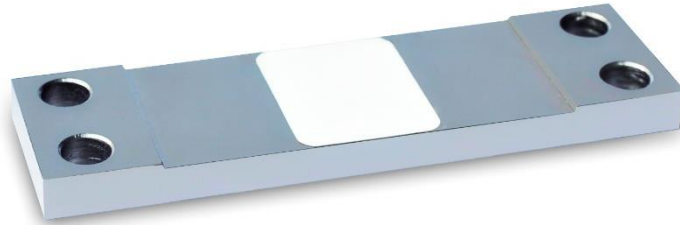


# Type H2B Load Cell



## Short description



- Nickel plated alloy steel IP65 load cell
- High accuracy
- Suitable for suspension force measurement

## Available models

| Capacity | Accuracy | Full article description |
|----------|----------|--------------------------|
| 3110 N   | G5       | H2B-G5-3110N-2B          |

Specifications and dimensions are subject to change without notice and do not constitute any liability whatsoever.

# Type H2B Load Cell

## Detailed specifications H2B

|                                       |                     |                           |
|---------------------------------------|---------------------|---------------------------|
| Accuracy class                        |                     | G5                        |
| Output sensitivity ( = FS )           | mV/V                | 1.5 ± 0.2                 |
| Maximum capacity ( E <sub>max</sub> ) | N                   | 3110                      |
| Combined Error                        | %FS                 | ≤± 0.50                   |
| Non-Linearity                         | %FS                 | ≤± 0.30                   |
| Hysteresis                            | %FS                 | ≤± 0.50                   |
| Repeatability                         | %FS                 | ≤± 0.30                   |
| Creep                                 | %FS/5min            | ≤± 0.05                   |
| Temperature effect on zero            | %FS/10°C            | ≤± 0.2                    |
| Temperature effect on sensitivity     | %FS/10°C            | ≤± 0.05                   |
| Minimum dead load                     | Of E <sub>max</sub> | 0%                        |
| Safe overload                         | of E <sub>max</sub> | 120 %                     |
| Ultimate overload                     | of E <sub>max</sub> | 150 %                     |
| Zero balance                          | mV/V                | < ± 0.06                  |
| Excitation, recommended voltage       | V                   | 5 ~ 8                     |
| Excitation maximum                    | V                   | 10                        |
| Input resistance                      | Ω                   | 375 ± 5                   |
| Output resistance                     | Ω                   | 350 ± 3                   |
| Insulation resistance                 | MΩ                  | ≥2000 ( at 50VDC )        |
| Compensated temperature               | °C                  | -10 ~ +40                 |
| Operating temperature                 | °C                  | -10 ~ +40                 |
| Storage temperature                   | °C                  | -40 ~ +70                 |
| Element material                      |                     | Nickel plated alloy steel |
| Ingress Protection (acc. to EN 60529) |                     | IP65                      |

## Wiring

### Wiring:

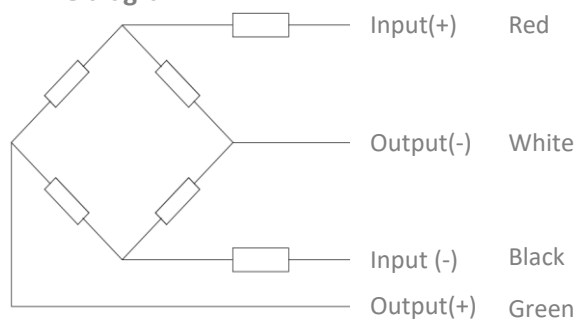
Shielded, 4 conductor cable.

Cable diameter: Ø2.95mm.

Standard cable length: 2m.

Shield not connected to element.

### 4-wire diagram

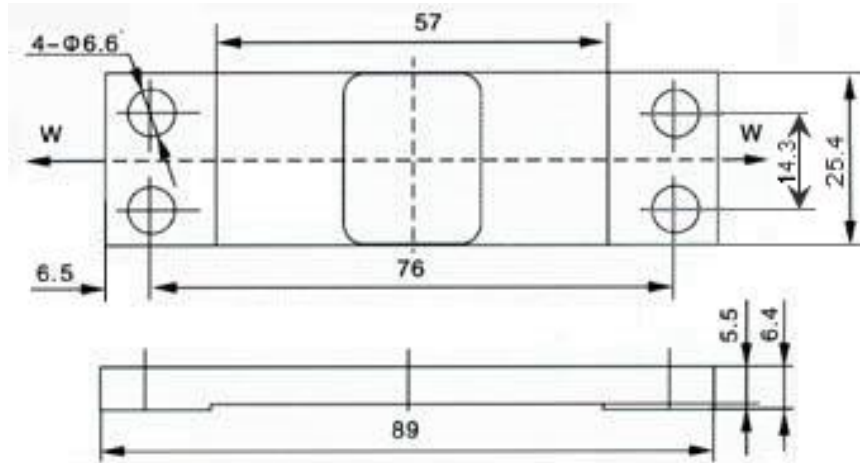


Specifications and dimensions are subject to change without notice and do not constitute any liability whatsoever.

# Type H2B Load Cell

Dimensions in mm

---



Specifications and dimensions are subject to change without notice and do not constitute any liability whatsoever.