

## Short description



- Easy installation
- Suitable for shock load
- Can be used with Load Cell models: BM8H

## Available models

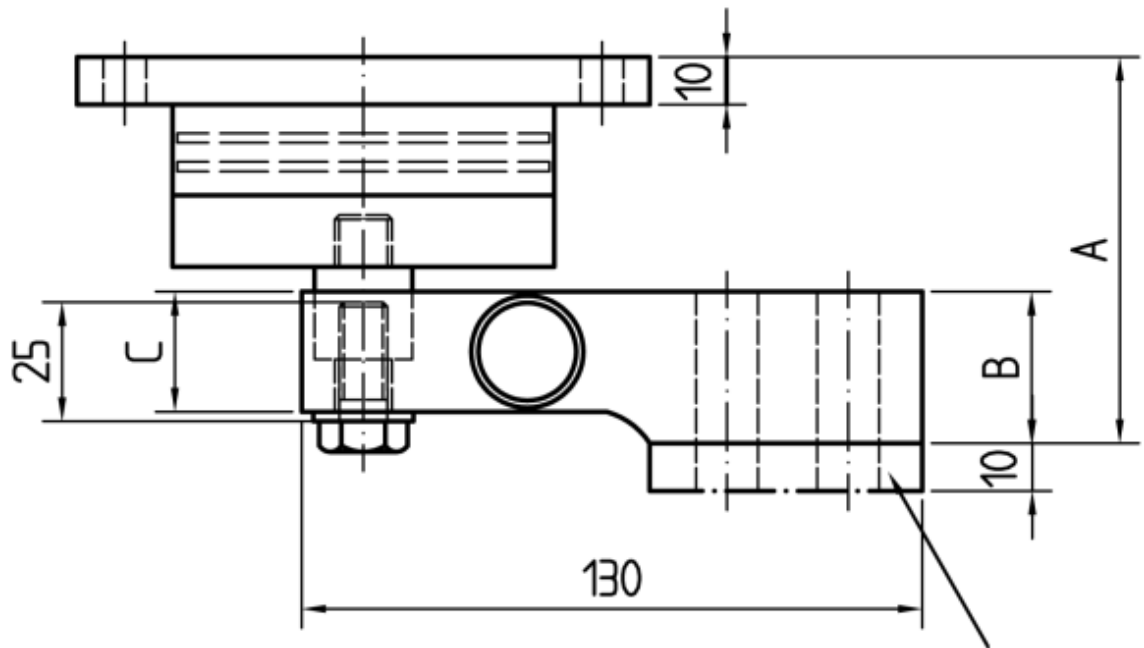
Model	Capacity	Full article description	Part number
Elastomer BM8H	0.5t – 2t	Elastomer BM8H 0.5 - 2t	2080250
	5t	Elastomer BM8H 5t	2080251

Specifications and dimensions are subject to change without notice and do not constitute any liability whatsoever.

# Type BM8H Elastomer

Dimensions in mm

0.5 – 2t

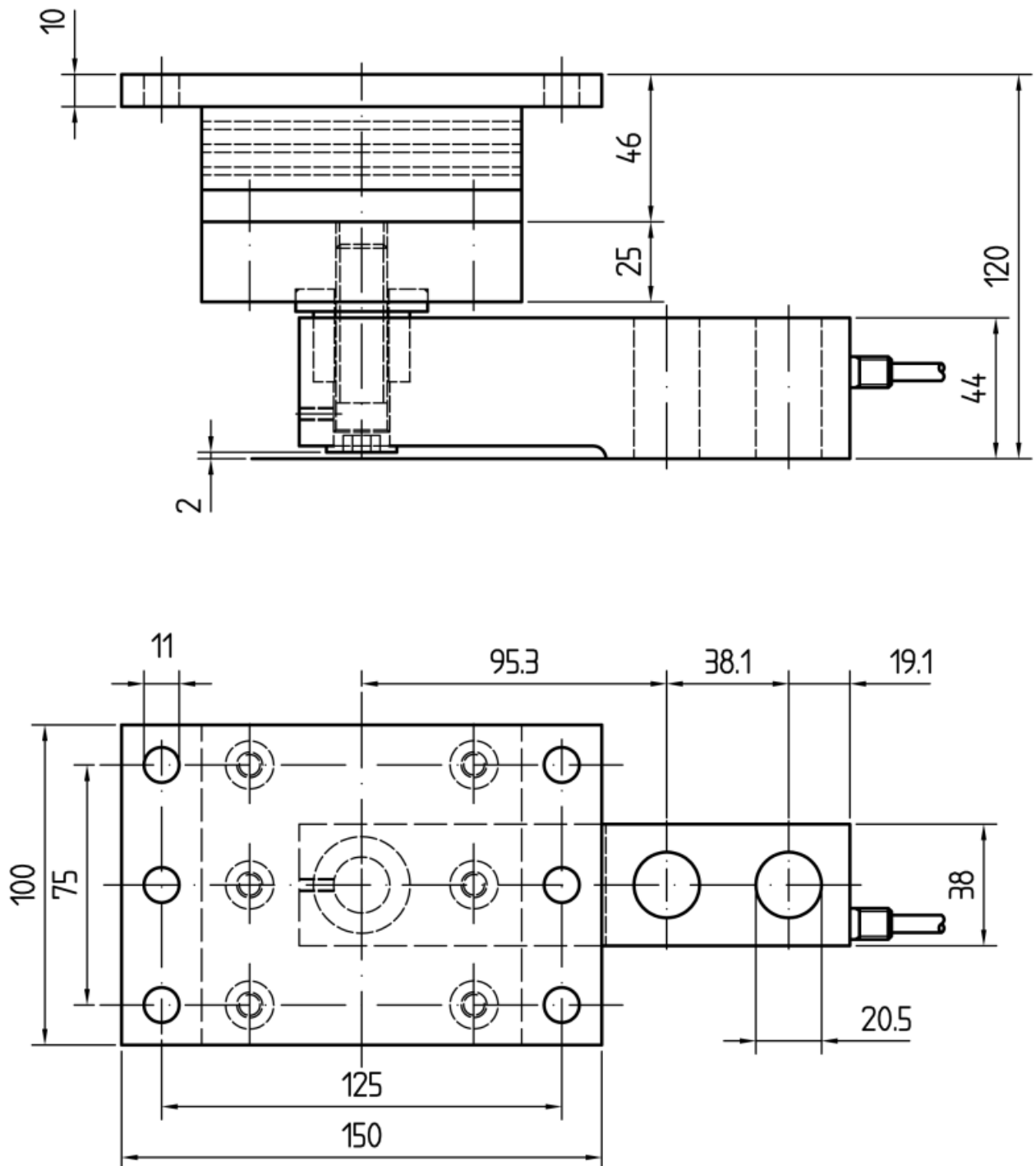


Dimension Capacity	A	B	C
500kg	81	31.8	26.0
1.0t	81	31.8	27.95
2,0t	85	35.8	31.95

Specifications and dimensions are subject to change without notice and do not constitute any liability whatsoever.

# Type BM8H Elastomer

5t



Specifications and dimensions are subject to change without notice and do not constitute any liability whatsoever.