

CPX

CPX SERIES LOW PROFILE COMPRESSION LOAD CELLS



Stainless steel compression load cells suitable for weighing tanks and hoppers with the relevant accessories.

CAPACITIES (kg): 250, 500, 1000, 2500, 5000, 7500, 10000, 12500, 15000, 30000, 50000, 100000.

OIML R60, C3 precision class from 2500 to 12500kg.

Stainless steel. IP68/IP69K protection.

The best solution
for advanced industrial
applications

MAIN FEATURES

- CAPACITIES FROM 250 TO 100000 kg
- OIML C3 APPROVED, from 2500 to 12500 kg
- LOW PROFILE
- GREAT RESISTANCE TO LATERAL FORCES
- STAINLESS STEEL CONSTRUCTION
- IP68 PROTECTION, IP69K UPON REQUEST
- SHIELDED CONNECTION CABLE

TECHNICAL FEATURES

- Minimum load cell verification interval: $V_{min} = E_{Max} / 10000$
- Full Scale Output: $2mV/V \pm 0,5\%$
- Non-Repeatability: 0,01% F.S.
- Combined Error 0,05%
- Temperature effect on zero: 0,02% / 10°C
- Temperature effect on full scale output: 0,02% / 10°C
- Compensated Temperature Range: -10°C/+40°C
- Operating Temperature Range: -20°C/+60°C
- Creep error after 30 minutes: 0,02% F.S.
- Maximum tolerated excitation voltage: 15 Vdc
- Input Resistance: $750 \pm 10 \text{ Ohm}$
- Output Resistance: $700 \pm 5 \text{ Ohm}$
- Zero Balance: $\pm 1\%$ F.S.
- Insulation Resistance: >5000 MOhm
- Safe Overload: 120% F.S.
- 4-wire shielded cable, 5 mm diameter:
 - 5 m long for CPX 250...5000 versions;
 - 10 m long for CPX 7500...100000 versions.

<u>Wiring Code</u>	
<u>Colour</u>	<u>Function</u>
--	SHIELD
GREEN	OUTPUT +
RED	INPUT +
WHITE	OUTPUT -
BLACK	INPUT -

ATEX version



- The CCATEX certificate makes the load cell suitable for use in hazardous areas with protection methods according to:
ATEX II 1G Ex ia IIC T6 (Ta -20÷+40°C) TX (Ta -20÷+65°C) Ga
ATEX II 1D Ex ta IIIC TX°C (Ta -20÷+40°C) TX°C (Ta -20÷+65°C) Da IP65.
The certificate includes the manual and the ATEX CE conformity declaration (available in EN, DE, FR, and IT).
- The CCATEX certificate is issued after the checks done by qualified technicians, with the help of specific equipments, for each load cell.
- **IMPORTANT:** the certificate refers to the single load cell. For systems with more load cells, it is necessary to order one certificate for each load cell.

MAIN CERTIFICATIONS

- OIML R60
- Australian legal for trade certificate of approval (NMI S843)

VERSIONS

Available versions

Codice	Max (kg)
CPX250	250
CPX500	500
CPX1000	1000
CPX2500 	2500
CPX5000 	5000
CPX7500 	7500
CPX10000 	10000
CPX12500 	12500
CPX15000	15000
CPX30000	30000
CPX50000	50000
CPX100000	100000

NOTE: Capacities up to 1000t upon request.



“YOUR WORLDWIDE PARTNER FOR WEIGHING”

DINI ARGEO
FRANCE sarl
France

DINI ARGEO
GMBH
Germany

DINI ARGEO
UK Ltd
United Kingdom

DINI ARGEO WEIGHING
INSTRUMENTS Ltd
China

DINI ARGEO
OCEANIA
Australia



COMPANY HEADQUARTERS

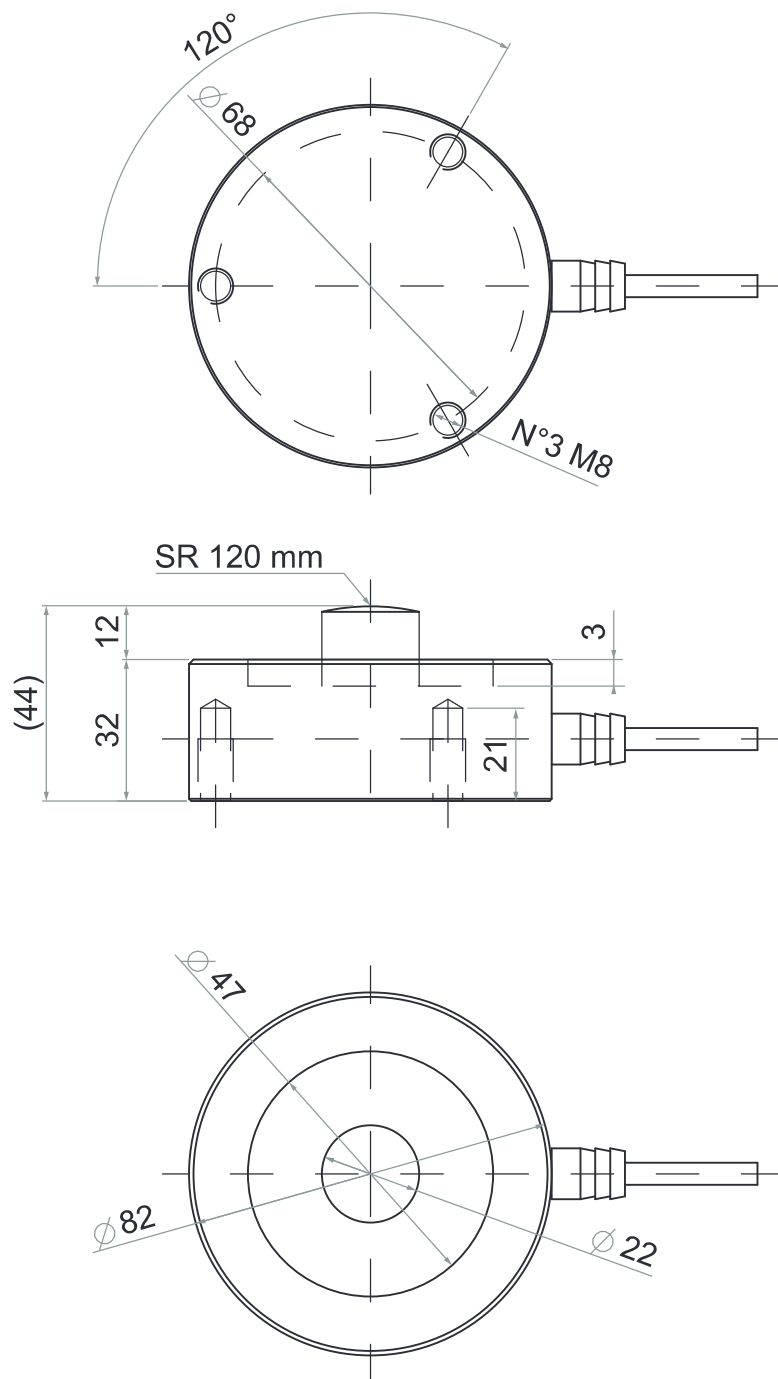
Via Della Fisica, 20
41042 Spezzano di Fiorano Modena • Italy
Tel. +39.0536 843418

SERVICE ASSISTANCE

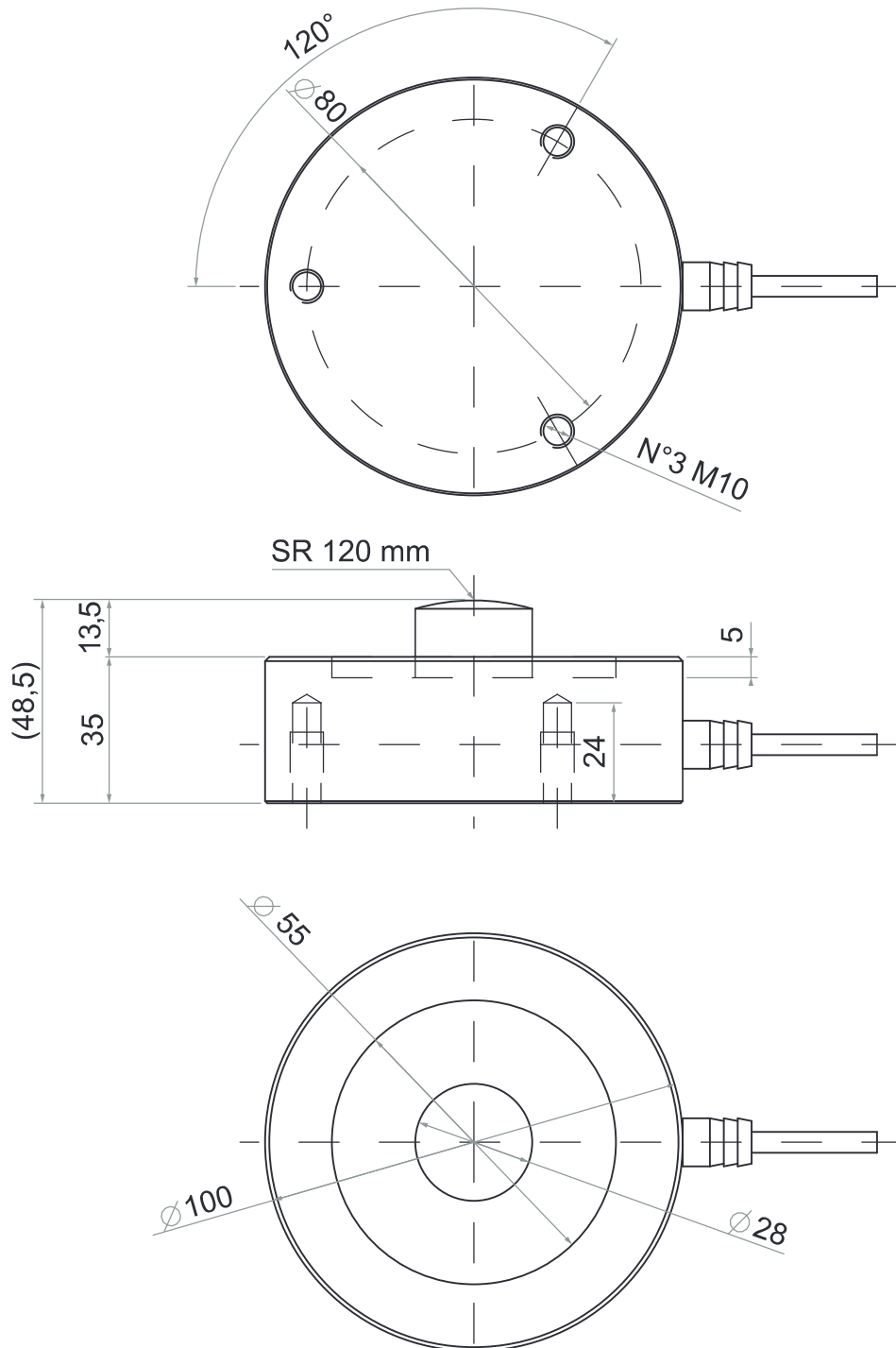
Via Dell'Elettronica, 15
41042 Spezzano di Fiorano Modena • Italy
Tel. +39.0536 921784

SALES AND TECHNICAL ASSISTANCE SERVICE

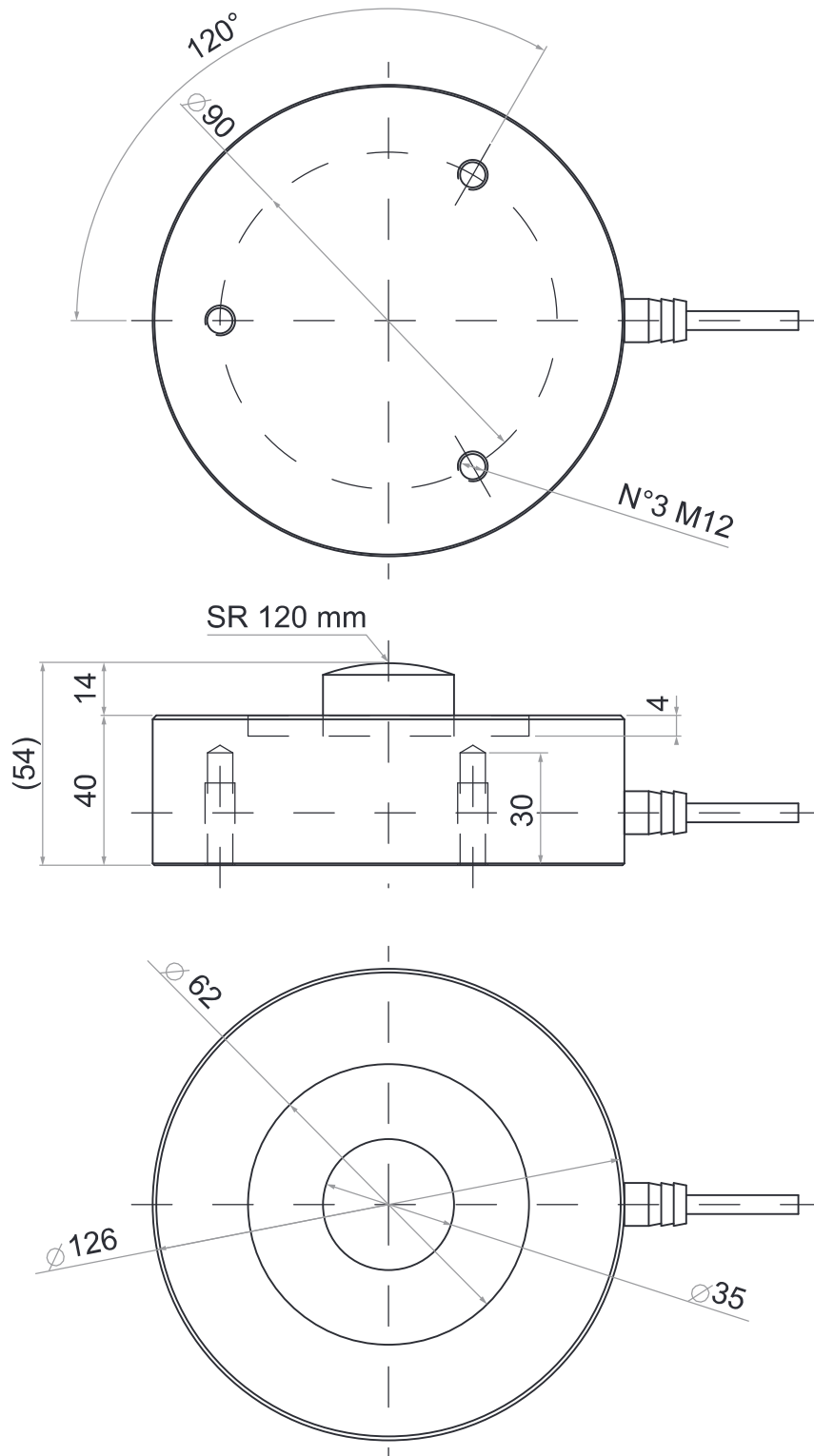
250 / 500 / 1.000 / 2.500 / 5.000 / 7.500 / 10.000 / 12.500



dimensions in mm

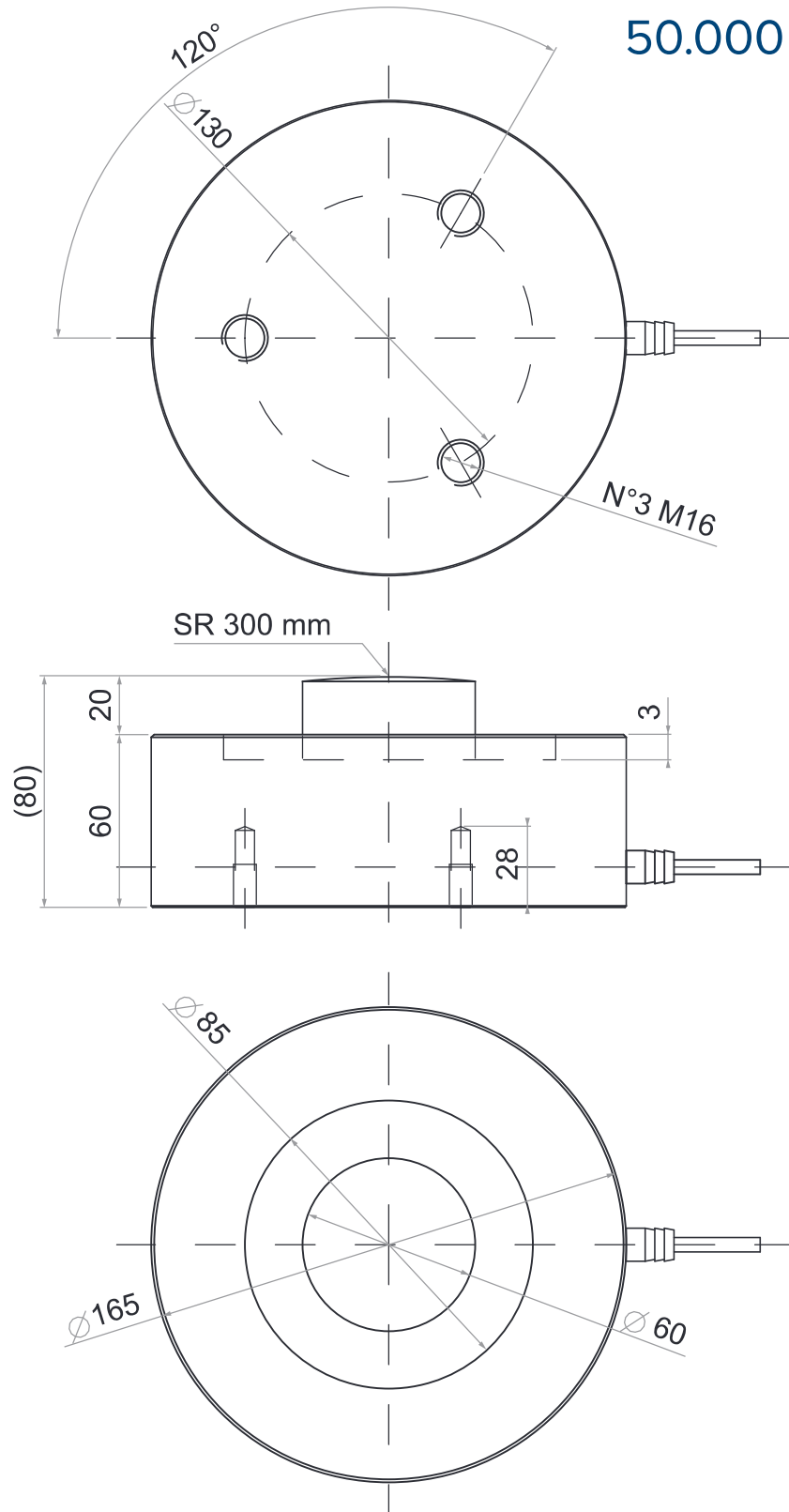


dimensions in mm



dimensions in mm

50.000 / 100.000



dimensions in mm