



Short description



- Easy installation
- Stainless steel
- Can be used with Load Cell models: H8-10t and HM8-10t

Available models

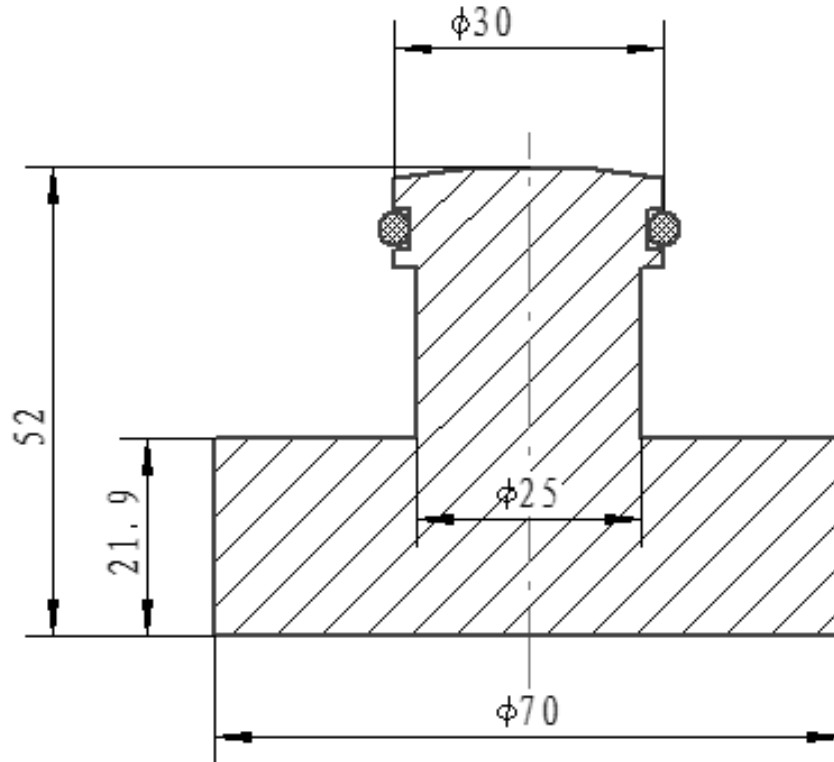
Model	Capacity	Full article description	Part number
BY-8-110	10t	BY-8-110-10t	2080731

Detailed specifications BY-8-110

Capacity	10t
Maximum vertical force (down)	95 kN

Specifications and dimensions are subject to change without notice and do not constitute any liability whatsoever.

Dimensions in mm



Specifications and dimensions are subject to change without notice and do not constitute any liability whatsoever.