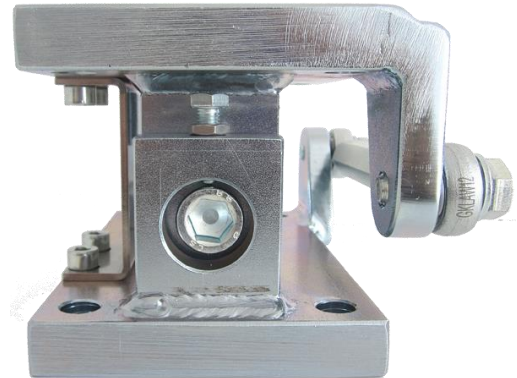
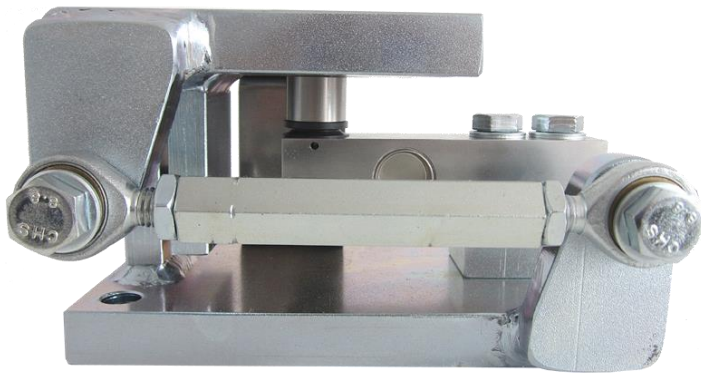


Mounting Set Type BM-8-904



Short description



- Complete mounting set for quick and easy mounting.
- This includes:
a loadcell dummy, transport plate, pressure piece, lift off protection and earthing cable.
- Stainless steel.
- Mount delivered without a working loadcell and without stay rod.
Those parts need to be ordered separately.
- Can be used with Load Cell models: BM8H

Available models

Model	Capacity	Full article description	Part number
BM-8-904	0.5t – 1t	BM-8-904-0.5/1t	2082059
	1.5t – 2t	BM-8-904-1.5/2t	2082060
	5t	BM-8-904-5t	2082061
	0.1t – 2t	Rod End 0.1/2t Stainless Steel	2082068
	2.5t – 5t	Rod End 2.5/5t Stainless Steel	2082069

Technical specifications BM-8-904

Capacity with load cell	0.5t – 2t	5t
Maximum vertical force (down) with dummy load cell	15 kN	30 kN
Maximum vertical force (up)	15 kN	30 kN
Maximum horizontal force (with stay rod installed)	20 kN	40 kN
Maximum horizontal movement (without stay rod)	+1.5 / -1.5 mm	

Notes:

- When horizontal forces are expected in use, we highly recommend installing the stay rod.
- Front View drawings show U-shaped transport plate installed. Please refer to installation manual.

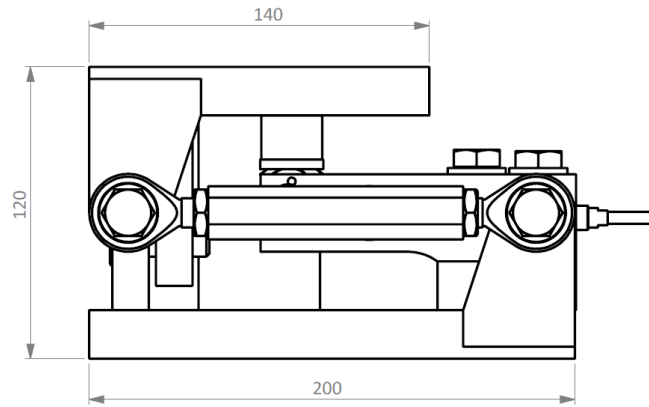
Specifications and dimensions are subject to change without notice and do not constitute any liability whatsoever.

Mounting Set Type BM-8-904

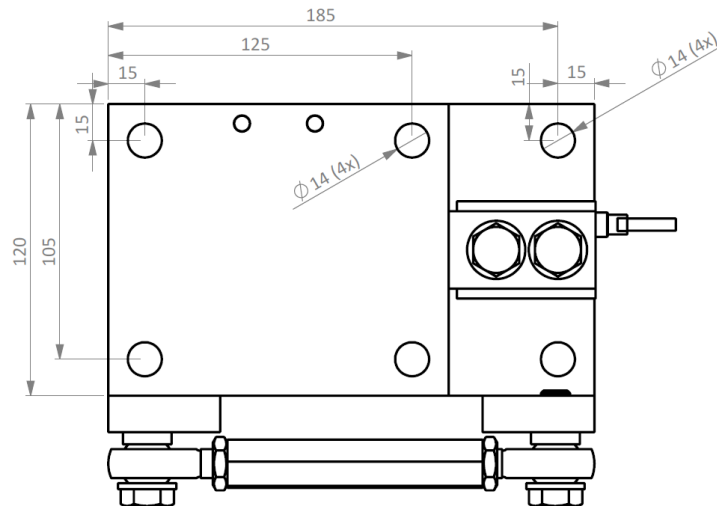
Dimensions in mm

0.5t – 2t

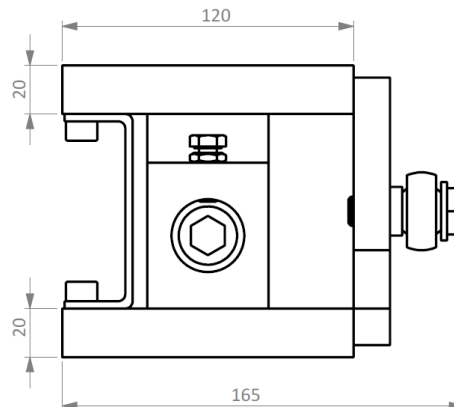
Side View



Top View



Front View

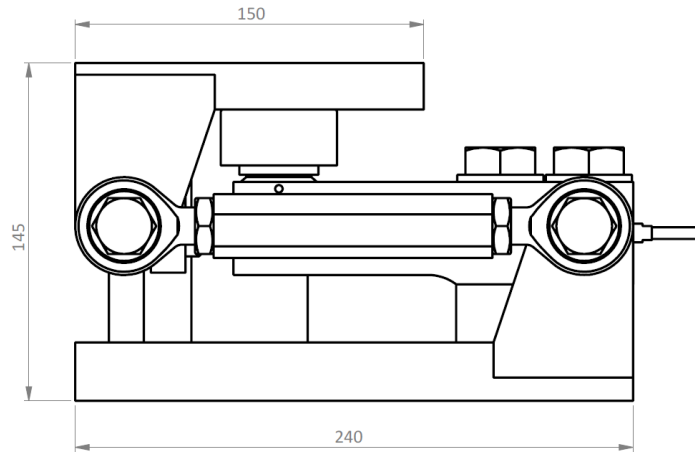


Specifications and dimensions are subject to change without notice and do not constitute any liability whatsoever.

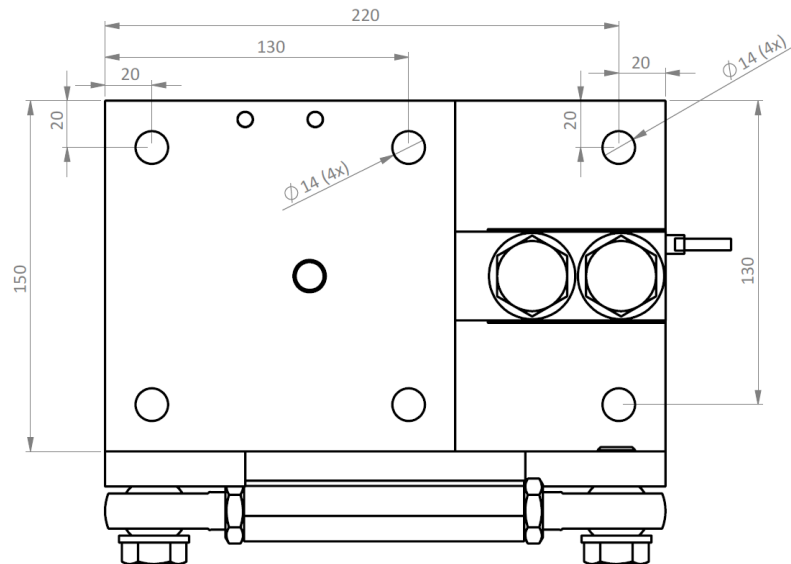
Mounting Set Type BM-8-904

5t

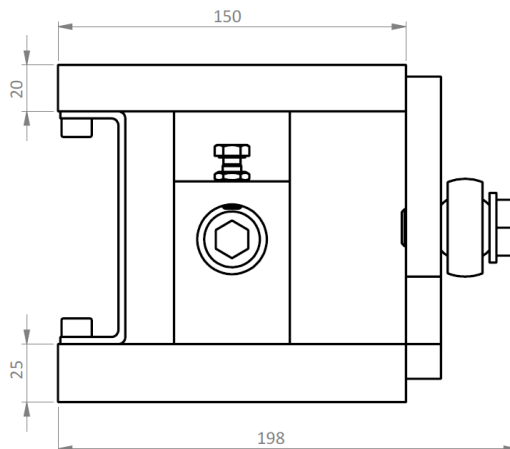
Side View



Top View



Front View



Specifications and dimensions are subject to change without notice and do not constitute any liability whatsoever.