

Short description

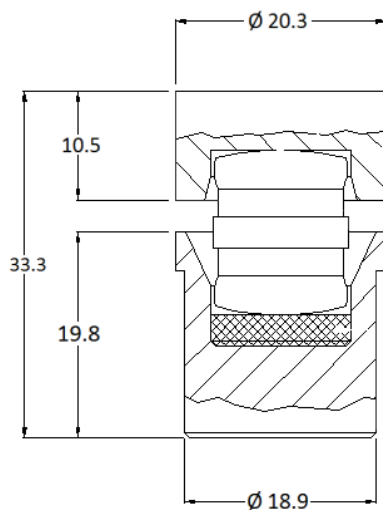
- Anti-corrosion
- Easy installation
- Stainless steel
- Can be used with load cell model: BM24R

Available models

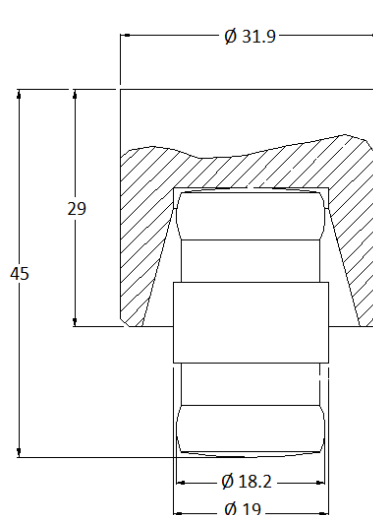
Model	Capacity	Full article description	Part number
BM-24-401-Z2	0.25t – 1t	BM-24-401-Z2-0.25t/1t	2240011
BM-24-402-Z2	2t – 5t	BM-24-402-Z2-2t/5t	2240021
BM-24-403-Z3	10t – 13t	BM-24-403-Z3-10t/13t	2240031

Dimensions in mm

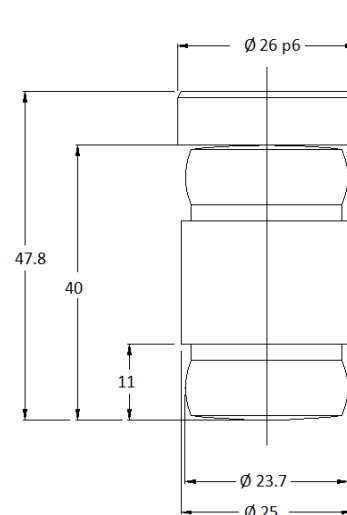
BM-24-401-Z2-0.25t/1t



BM-24-402-Z2-2t/5t



BM-24-403-Z3-10t/13t



Specifications and dimensions are subject to change without notice and do not constitute any liability whatsoever.