

Short Description

- Complete Mounting set for quick mounting without any problems.
- This includes:
a loadcell dummy, transport plate, lift off protection
- Stainless steel type 1.4301 (304)
- Mount delivered without working loadcell and without stay rod.
Those parts need to be ordered separately.
- Can be used with load cell models: BM14C and HM14C

Available Models

Model	Capacity	Full Article Description	Part Number
BM-14-910	0.5t – 30t	BM-14-910-0.5t-30t	21402300
	50t	BM-14-910-50t	21402301

Detailed Specifications BM-14-910

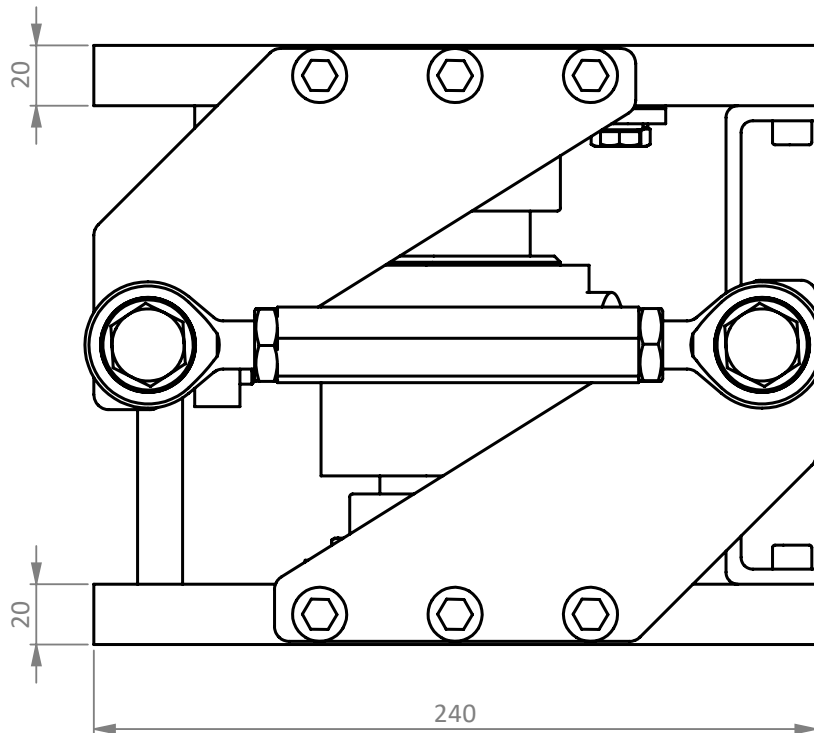
Capacity with load cell	0,5t – 30t	50t
Maximum vertical force (down) with dummy load cell	8 kN	
Maximum vertical force (up)	20kN	
Maximum horizontal force (with stay rod installed)	35 kN	
Maximum horizontal force (without stay rod installed)	5 kN	
Maximum horizontal movement (without stay rod)	+2 / -2 mm	

Notes:

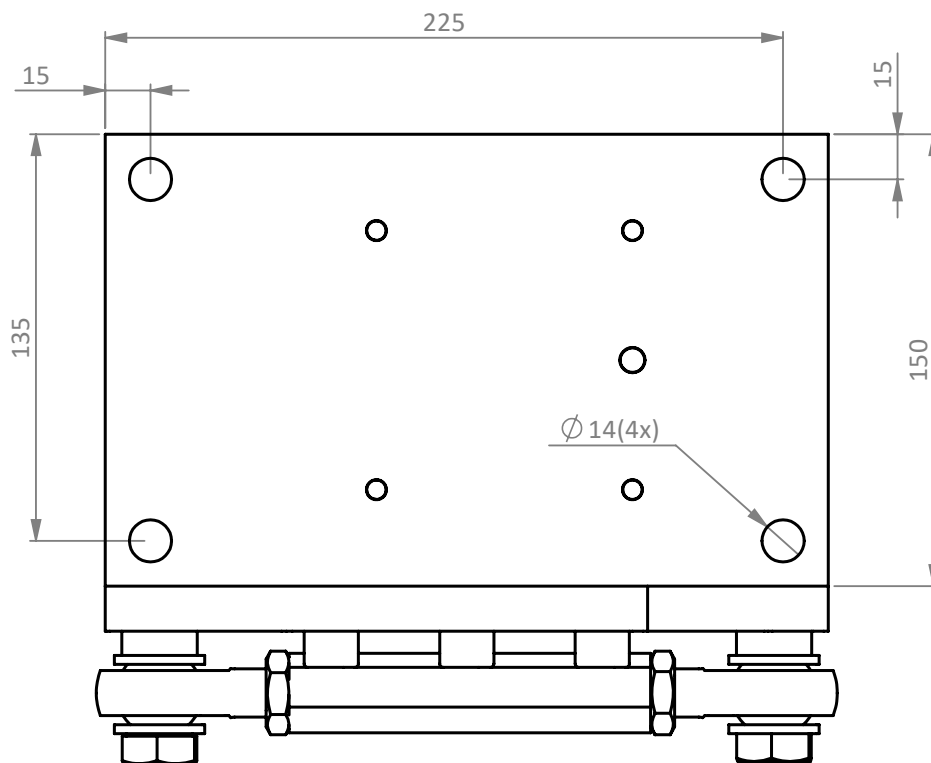
- When horizontal forces are expected in use, we highly recommend installing the stay rod.
- Dimensional drawings show stay rod and transport plate installed.

Dimensions in mm

Side View:

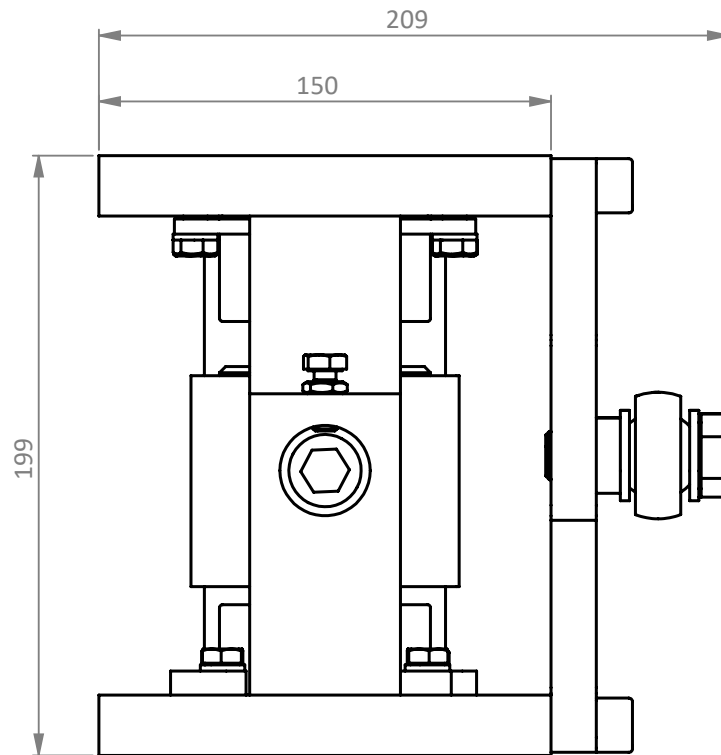


Top View:

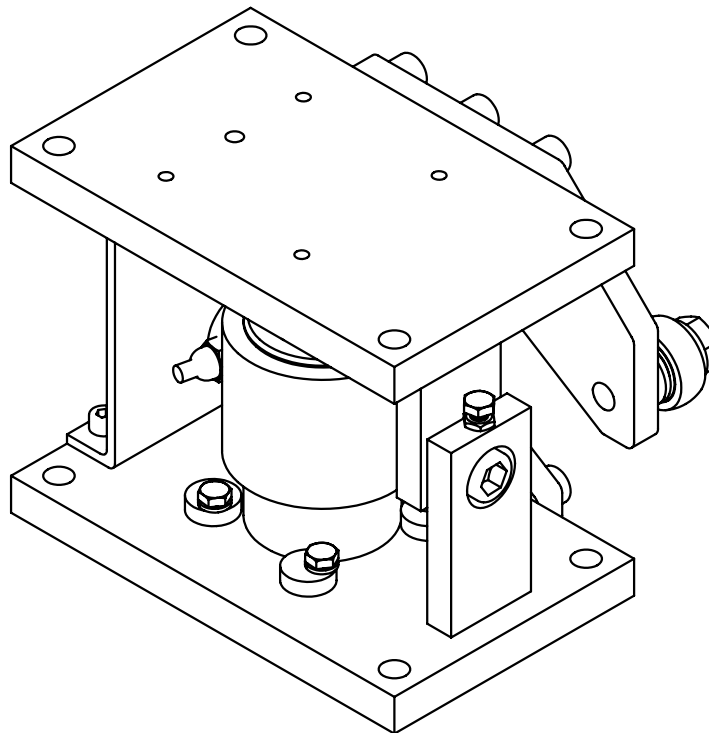


Mounting Set Type BM-14-910

Front View:



Isometric View:



Specifications and dimensions are subject to change without notice and do not constitute any liability whatsoever.