



Short description



- Height adjustable “T-end” foot
- Easy installation
- Stainless steel
- Can be used with Load Cell models: H8Q-W6 and B8Q-W6

Available models

Model	Capacity	Full article description	Part number
BJ-8-250	200kg	BJ-8-250-200kg	2080127
	0.5/2t	BJ-8-250-0.5t/2t	2080126

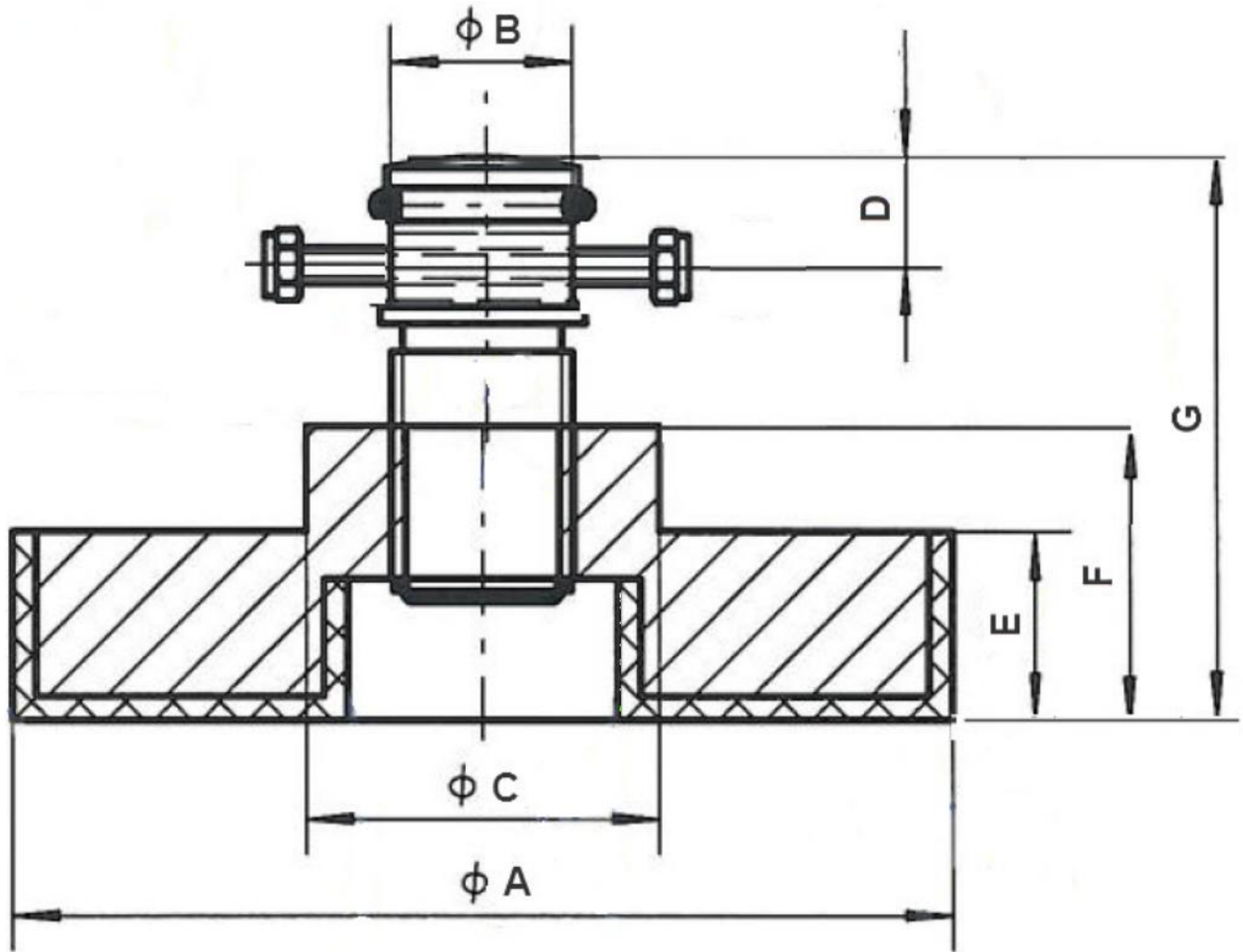
Detailed specifications BJ-8-250

Capacity	200kg	0.5t – 2t
Maximum vertical force (down)	3 kN	30 kN
Maximum horizontal force	3 kN	30 kN

Specifications and dimensions are subject to change without notice and do not constitute any liability whatsoever.

Type BJ-8-250

Dimensions in mm



Dimensions Capacity	ϕA	ϕB	ϕC	D	E	F	G
200kg	60	11	20	4	12	20	30 – 37
0.5t – 2t	80	17	23	6.7	16	24	41 – 51

Specifications and dimensions are subject to change without notice and do not constitute any liability whatsoever.